

Patents, Designs, and Trade Marks

SUPPLEMENT

TO THE

NEW ZEALAND GAZETTE

OF

THURSDAY, MAY 30, 1912.

Published by Authority.

WELLINGTON, THURSDAY, MAY 30, 1912.

CONTENTS.

	Page
International and Intercolonial Arrangements for the Mutual Protection of Patents and Trade Marks ..	1815
Special Publication: <i>Patent Office Journal</i> ..	1816
Specifications open to Public Inspection before Acceptance	1816
Applications for Letters Patent filed	1816
Complete Specifications filed after Provisionals ..	1817
Complete Specifications accepted	1817
Provisional Specifications accepted	1821
Letters Patent sealed	1821
Letters Patent on which Fees have been paid ..	1822
Subsequent Proprietors of Letters Patent registered	1822
Request for Correction of Clerical Error in Application for Letters Patent	1822
Applications for Letters Patent abandoned ..	1822
Applications for Letters Patent void	1822
Applications for Letters Patent lapsed	1822
Letters Patent void	1822
Design expired	1823
Applications for Trade Marks filed	1823
Applications for Registration of Trade Marks ..	1823
Trade Marks registered	1826
Trade Mark Renewal Fees paid	1826
Trade Marks removed from the Register	1826
Application for Trade Mark opposed	1826

International and Intercolonial Arrangements for the Mutual Protection of Patents and Trade Marks.

INTERNATIONAL CONVENTION.

THE following countries now belong to the Convention:—

Australia.	Hungary with Bosnia and Herzegovina.
Austria.	Italy.
Belgium.	Japan.
Brazil.	Mexico.
Ceylon.	New Zealand.
Cuba.	Norway.
Denmark and Faroe Islands.	Portugal, with the Azores and Madeira.
Dominican Republic.	Servia.
France, with Algeria and colonies.	Spain.
Germany.	Sweden.
Great Britain.	Switzerland.
Holland, with East Indian colonies, Curaçoa, and Surinam.*	Trinidad and Tobago.
	Tunis.
	United States of America.

* Trade marks only.

Separate arrangements have been made between Australia and New Zealand.

Particulars of the Convention and of such arrangements may be seen in the following *Gazettes*:—

Notification of adhesion of New Zealand to the Convention, with text thereof (in English), in the *Gazette* of 26th November, 1891; notification of adherence of New Zealand to the Additional Act of the Convention, in *Patents Supplement o Gazette*, No. 101, of the 16th November, 1905; Order in Council applying section 103 of the Imperial Act to New Zealand, in *Gazette* No. 27, of the 15th May, 1890; Orders in Council containing arrangements between Australia and New Zealand, in *Patent Supplements to the Gazette*, Nos. 22, of the 9th March, 1905, and 38, of the 20th April, 1905.

Patents, Designs, and Trade Marks Act, 1911.

PAMPHLET compiled for foreign distribution with reference to new Act, and containing besides, brief notes on New Zealand and its industries, particulars of flax bolus, extracts from tariff, &c., may be had free on application.

The Patents, Designs, and Trade Marks Act, 1911.

Patent Office Journal.

ALL notices under this Act, commencing on the 1st July next, will be inserted in a special publication entitled the *Patent Office Journal*, to be issued fortnightly, and not in the Patents Supplement to the *Gazette*, which will be discontinued.

The *Journal* will be obtainable from the Government Printer, Wellington, on payment of 6d. a copy (posted, 6½d.), or an annual subscription of 10s. 6d., including postage.

Specification open to Public Inspection before Acceptance.

(In accordance with the arrangements made between Australia and New Zealand.)

[The specification may be inspected at the Patent Office, Wellington, on payment of a search fee of 1s. per hour.]

(NOTE.—The date given is the prior date applied for.)

N^{O.} 30953.—15th May, 1911.—H. A. T. Griffin, tie or scarf fixing.

Applications for Letters Patent filed.

LIST of applications for Letters Patent filed. (Where a complete specification accompanies an application an asterisk is affixed; in all other cases a provisional specification has been lodged. In all cases where the applicant is not the inventor the name of the latter appears in italics in parentheses. † Denotes an application under the International and Intercolonial Arrangements.)

Read, C. J., San Francisco, U.S.A.	Electrolytic process* ; 31299 ; 10th May.
Wilkinson, F., Braintree, Eng.	Letter, &c., stamping mechanism* ; 31300 ; 12th May, 1911.†
McCrae, D., Wellington, N.Z.	Spring mattress ; 31301 ; 10th May.
Burges, A., Palmerston North, N.Z.	Flax-cleaning machine ; 31302 ; 10th May.
Hodgkinson, A. E., Wellington, N.Z.	Cash-register ; 31303 ; 10th May.
Duncan, W. J., Wellington, N.Z.	Cash-register ; 31303 ; 10th May.
Francis, J. C., Wellington, N.Z.	Cash-register ; 31303 ; 10th May.
Cluett, G. E., Stratford, N.Z.	Ferro-concrete reinforcing-bar ; 31304 ; 10th May.
Hayes, E., Ourehua, N.Z.	Windmill ; 31305 ; 11th May.
Donald, D., Masterton, N.Z.	Window-fastener* ; 31306 ; 11th May.
Hodson, F. S., Wellington, N.Z.	Typewriter-attachment ; 31307 ; 11th May.
Levien, N. B., Auckland, N.Z.	Door and gate latch ; 31308 ; 11th May.
Eustege, T. P., Wellington, N.Z.	Heating-apparatus ; 31309 ; 11th May.
McKinlay, W. H., Gore, N.Z.	Rabbit-trap ; 31310 ; 9th May.
Gurr, T. S., Dunedin, N.Z.	Lifebelt, &c. ; 31311 ; 9th May.
Park, R. P., Melbourne, Vic.	Butter, &c., box ; 31312 ; 10th May.
Bennet, W., Dunedin, N.Z.	Oven-shelf* ; 31313 ; 9th May.
Morgan, R. C., Dunedin, N.Z.	Oven shelf* ; 31313 ; 9th May.
Sherlock, M., Waimangaroa, N.Z.	Spouting-bracket ; 31314 ; 13th May.
Kennedy, F. H., Waimangaroa, N.Z.	Spouting-bracket ; 31314 ; 13th May.
Eustege, T. P., Wellington, N.Z.	Bicycle-hood, &c. ; 31315 ; 13th May.
Edwards, L. A., Wellington, N.Z.	Luggage-carrier for cycle ; 31316 ; 13th May.
Harris, S. L., Invercargill, N.Z.	Brooch, &c., pin ; 31317 ; 13th May.
Judkins, G. U., Christchurch, N.Z.	Metal-edge beading-machine ; 31318 ; 13th May.
Thompson, J. L., Rangataua, N.Z.	Hatpin-point protector ; 31319 ; 14th May.
MacGoun, M. D., Carterton, N.Z.	Traction-wheel ; 31320 ; 15th May.
Egan, B. J., Swan Hill, Vic.	Vehicle-body, cycle-saddle, &c., suspension-device* ; 31321 ; 8th June, 1911.†
United Shoe Machinery Company, Paterson, U.S.A. (Ashton, O.)	Boot-machine* ; 31322 ; 15th May.
Cunningham, P. E., Chidlow's Wells, W. Aust.	Spark-arrester* ; 31323 ; 15th May.
Reid, R., Chidlow's Wells, W. Aust.	Spark-arrester* ; 31323 ; 15th May.
Steckle, E. J., Dixon, U.S.A.	Crushing-machine* ; 31324 ; 31st May, 1911.†
Leech, A. H., Drummoyne, N.S.W.	Window-sash* ; 31325 ; 15th May.
Lofthouse, J. M., Perth, W. Aust.	Carburettor* ; 31326 ; 15th May.
Booty, E. R., Perth, W. Aust.	Carburettor* ; 31326 ; 15th May.
Sturrock, A., Melbourne, Vic.	Box* ; 31327 ; 15th May.
Madden, J. M., Riccarton, N.Z.	Perambulator, &c., steering ; 31328 ; 15th May.
Wallace, D. M., Te Aroha, N.Z.	Swingletree-mounting* ; 31329 ; 15th May.
Clements, T., Papakura, N.Z.	Seed and manure distributor ; 31330 ; 15th May.
Westergaard, L., Echuca, Vic.	Spark-arrester* ; 31331 ; 17th July, 1911.†
Moody, S., Preston, Vic.	Cycle-saddle pillar, &c.* ; 31332 ; 27th July, 1911.†
Watkins, Tyer, and Tolan, Limited, Wellington, N.Z. (Watkins, L. T.)	Telephone-list cover and hanger* ; 31333 ; 15th May.
Garey, W., Auckland, N.Z.	Rotary pump ; 31334 ; 14th May.
Butterworth, J., Auckland, N.Z.	Flooring, &c., composition* ; 31335 ; 14th May.
Fischer, O. G., Auckland, N.Z.	Flooring, &c., composition* ; 31335 ; 14th May.
Garton, C. S., New York, U.S.A.	Spark-arrester ventilator* ; 31336 ; 16th May.
Kowalewski, J., Waipuku, N.Z.	Plough-steering* ; 31337 ; 16th May.
Vartan, B. B., Dannevirke, N.Z.	Sewing-machine guide ; 31338 ; 16th May.
Fisher, C. E., Lower Hutt, N.Z.	Voting-machine ; 31339 ; 17th May.
Collins, A. F., Christchurch, N.Z.	Explosive-engine-cylinder cooler ; 31340 ; 16th May.
Russell, A. E., Wellington, N.Z.	Explosive-engine-cylinder cooler ; 31340 ; 16th May.
Kerr, A., Christchurch, N.Z.	Explosive-engine-cylinder cooler ; 31340 ; 16th May.
Laing, A., Newcastle-on-Tyne, Eng.	Liquid-fuel-furnace burner* ; 31341 ; 31st January, 1912.†
Clark, G. A., Cambridge, N.Z.	Tarpaulin-support* ; 31342 ; 17th May.
Gaffney, W. C., Gore, N.Z.	Spanner ; 31343 ; 17th May.
Baldwin, D., Invercargill, N.Z.	Spanner ; 31343 ; 17th May.
Rankine, J., Wellington, N.Z.	Steam-valve ; 31344 ; 17th May.
Siede, L., Melbourne, Vic.	Sheep-shearing machine* ; 31345 ; 16th May.
Street, A., South Yarra, Vic.	Sheep-shearing machine* ; 31345 ; 16th May.
Soro, A., Ballarat, Vic.	Power, obtaining, from atmospheric air* ; 31346 ; 16th May.
Cameron, W., Masterton, N.Z.	Gate-fastener ; 31347 ; 14th May.
Cleave, G. B., Hakataramea, N.Z.	Plough-coulter ; 31348 ; 18th May.
Collins, G. E., Napier, N.Z.	Washing-machine ; 31349 ; 16th May.
Carter, R. H., Wellington, N.Z.	Clothes-washer ; 31350 ; 20th May.
Harvey, N., Christchurch, N.Z.	Electrical-energy-waste controller ; 31351 ; 20th May.
United Shoe Machinery Company, Paterson, U.S.A. (Preble, E. N.)	Sole-pressing machine ; 31352 ; 21st May.
Deacon, M., London, Eng.	Reagents, adding, to liquids, &c.* ; 31353 ; 21st May.
Gore, W., London, Eng.	Reagents, adding, to liquids, &c.* ; 31353 ; 21st May.
King, J., Melbourne, Vic.	Ruling-machine attachment* ; 31354 ; 23rd August, 1911.†

Modern Printing Company Proprietary, Limited, Melbourne, Vic.	Ruling-machine attachment* ; 31354 ; 23rd August, 1911.†
Gott, J., Hove, Eng.	Submarine-cable working* ; 31355 ; 18th March, 1912.†
Tuck, C. J., Manukau, N.Z.	Milking-machine claw* ; 31356 ; 21st May.
Robinson, J. G., Manchester, Eng.	Steam-superheater* ; 31357 ; 20th July, 1911.†
Robinson, J. G., Manchester, Eng.	Steam-superheater* ; 31358 ; 31st October, 1911.†
Shaw, G. A., Auckland, N.Z.	Hatpin-point protector ; 31359 ; 21st May.
Ross, A. Y., Auckland, N.Z.	Letter-box ; 31360 ; 21st May.
Luzmoor, E. G., Invercargill, N.Z.	Rail-joint ; 31361 ; 21st May.
Carroll, J., Melbourne, Vic. (Carroll, W.)	Buoying persons in water ; 31362 ; 22nd May.
Ailen, W. A., Surrey Hills, Vic.	Tobacco-pipe stem, &c.* ; 31363 ; 22nd May.
United Shoe Machinery Company, Paterson, U.S.A. (Topham, L. E.)	Sewing-machine ; 31364 ; 22nd May.
Smith, A., Christchurch, N.Z.	Thermostat ; 31365 ; 18th May.
Smith, E., Christchurch, N.Z.	Thermostat ; 31365 ; 18th May.
Boys, F. T., Christchurch, N.Z.	Internal-combustion engine ; 31366 ; 22nd May.
Stinson, J. L., Christchurch, N.Z.	Internal-combustion engine ; 31366 ; 22nd May.
Rae, W. J. E., Christchurch, N.Z.	Harrow ; 31367 ; 22nd May.
Seddon, A. G., Denniston, N.Z. (Langshaw, J.)	Medicine ; 31368 ; 23rd May.
Williams, H. B., Christchurch, N.Z.	Securing spare rim to motor-vehicle wheel* ; 31369 21st May.
Berry, H. F., London, Eng.	Stone heating and drying* ; 31370 ; 26th October, 1911.†
Berry, H. F., London, Eng.	Stone heating and drying* ; 31371 ; 26th October, 1911.†

Complete Specifications filed after Provisionals.

LIST of complete specifications filed after provisional specifications from the 10th April to the 23rd May, 1912, inclusive:—

- No. 29874.—A. H. Wright, gripping and recording mechanism.
- No. 29994.—G. A. Haydon, lock-nut.
- No. 30009.—D. S. Cochran and J. A. Webb, ship-cabin-rolling prevention.
- No. 30012.—E. J. Garrett, brand.
- No. 30014.—D. Brown, tap.
- No. 30015.—J. Taylor, boot-heel stiffener.
- No. 30022.—M. Wilkinson, playing-card.
- No. 30036.—A. Horton and J. A. Lambert, nail, &c., handling.
- No. 30062.—E. Hayes, wire-strainer.
- No. 30063.—J. C. Smith, W. Tweedale and T. Bransgrove, metal-extraction.
- No. 30090.—J. W. Hamon, water-sounding.
- No. 30091.—E. Hayes, gate-hinge.
- No. 30117.—G. R. Fellows, gold, &c., obtaining from iron-sand.
- No. 30123.—H. A. Turnbull, G. F. F. Davis, and A. J. B. Turnbull, steam-generator.
- No. 30192.—United Shoe Machinery Company, shoe-manufacture. (A. H. Prenzel.)
- No. 30449.—E. Roos, cream-separator. (C. H. Shaw.)
- No. 30513.—A. J. Griffiths and A. R. E. Aldred, water-heater.
- No. 30703.—J. B. Beadman and H. J. Macklin, axle-box.

Notice of Acceptance of Complete Specifications.

Patent Office,
Wellington, 29th May, 1912.

COMPLETE specifications relating to the undermentioned applications for Letters Patent have been accepted, and are open to public inspection at this office. Any person may, at any time within two months from the date of this *Gazette*, give me notice in writing of opposition to the grant of any such patent. Such notice must set forth the particular grounds of objection, and be in duplicate. A fee of 10s. is payable thereon.

The copies of claims and extracts from the specifications and drawings are merely intended to give some further indication of the invention than is disclosed in the title, and the complete specifications and drawings should be referred to for a description of the invention.

No. 29140.—16th February, 1911.—FRANK MCGARTHY, Wanganui, Chemist, and CHARLES McDONELL, Taihape, Farmer, both in New Zealand. Improvements in wire-strainers.*

Claim.—(1.) Means for straining wires, consisting of a bar of tapering width provided with a pillar projecting from its front face near the broader end thereof, formed with a groove to receive the wire across the face of its outer end, and with a lug projecting from the front face of the bar near

its other end, formed with a groove extending along each of its side faces, and means whereby the bar may be gripped and rotated, such means consisting of a lever-handle formed of a length of metal bent at its middle to form a tapered groove extending across it, substantially as specified.

(Specification, 3s.)

[NOTE.—Here follows one other claim.]

No. 29152.—10th March, 1910.—NORMAN SINCLAIR MC-NAB, of Waiora Road, Caulfield, Victoria, Australia, Electrical and Mechanical Engineer. Improvements in and relating to machines for stamping, impressing, embossing, and other purposes for franking and indicating on mail-matter and documents.

Claims.—(4.) In a franking or marking machine of the kind indicated, a lever having a presser having a pad of rubber or the like within an outer part of leather or the like, substantially as described. . . . (6.) In a machine of the kind indicated, means to move an apertured or an unapertured presser in relation to matter to be marked, and to hold or support said presser unyieldingly, as indicated, during marking. (7.) In a machine of the kind indicated, a lever or movable holder of or having a presser, and cam or equivalent means whereby the holder is brought to an unyielding position with the presser gripping or supporting matter about to be marked.

(Specification, 5s.)

No. 29542.—15th May, 1911.—DANIEL MCGILL, of Te Puni Street, Petone, New Zealand, Engineer. Improved chemical process for treating flax.*

Claim.—(1.) A process of treating flax consisting in subjecting the flax, first, to the action of an alkaline bath, then to the action of a second bath containing chloride of lime, then to the action of a third bath containing diluted sulphuric acid, then to a fourth alkaline bath, and finally washing the fibres in water, and drying the same, as set forth.

(Specification, 3s.)

[NOTE.—Here follows one other claim.]

No. 29543.—16th May, 1911.—WILLIAM MONTGOMERY HOGG, of Lawrence, General Blacksmith, and FRED. MONTGOMERY HOGG, of Evans Flat, Farmer, both in New Zealand. A reversible swivel treble-crank coultter-stalk and lever particularly applicable for reversible hillside ploughs.*

Claim.—A reversible swivel treble-crank coultter stalk and fittings complete, as described in complete specifications, with lever for putting land on or taking it off while the plough is at work ; also gear for regulating depth, and rack for holding lever in a stationary position. This whole combination of parts is particularly applicable to reversible hillside ploughs of any make, and also the only and most convenient and time-saving treble-crank swivel coultter-stalk and adjusting-gear for any make of plough with any number of furrows.

(Specification, 3s. 3d.)

No. 29581.—20th May, 1911.—ERNEST MOSS, of Christchurch, New Zealand, Mechanic. Improvements in and relating to postal franking-machines.*

Extract from Specification.—Comprises a supplementary die slideably mounted within a hollow core formed through the main die and its shank, a suitable spring being provided to normally maintain such supplementary die upwards with its surface within the core. The depression of the auxiliary die is effected by means of a small plunger adapted to slide within the said core in the main plunger. The main die and its plunger are also controlled by suitable springs which tend

to normally hold them upwards. The inking of the dies is effected by means of an ink-pad consisting of two portions, one containing ink for the main and another containing ink for the auxiliary die. The two inks are preferably of a dissimilar nature in order to prevent the impression from being reproduced by any one process—for example, one may be an aniline and the other a fatty ink. (Specification, 5s. 6d.)

[NOTE.—The above extract from the specification is inserted in place of the claims.]

No. 29654.—1st June, 1911.—JOHN HENRY MAU, of 38 Bridge Street, Ballarat East, Victoria, Australia, Dairy-produce Merchant. Improvements in, and material for use in, the manufacture of butter.*

Extract from Specification.—According to this invention, the cream to be treated is placed in a churn or other suitable vessel, and has incorporated with it a mixture of a suitable astringent, as alum, and a suitable purgent purifier or cleansing-material, such as bicarbonate of soda. (Specification, 4s.)

[NOTE.—The above extract from the specification is inserted in place of the claims.]

No. 29691.—7th June, 1911.—UNITED SHOE MACHINERY COMPANY, of Paterson, New Jersey, United States of America, a corporation duly organized under the laws of said State of New Jersey, carrying on business as Shoe-machinery Manufacturers, and having a place of business at 205 Lincoln Street, Boston, in the Commonwealth of Massachusetts, in said United States of America (the assignees of Fred Luther MacKenzie, of Beverly, in the County of Essex and said Commonwealth of Massachusetts, Designer, and John Benjamin Hadaway, of Swampscott, in said County of Essex, Inventor). Improvements in or relating to machines for tack-pulling or tack-inserting, or performing both these operations, in the manufacture of boots and shoes.*

Claims.—(1.) For a tack-pulling machine, the combination with an arm, a crank directly connected to one end thereof, and an oscillatory link connected to the arm at a point located between the ends of the arm, of a tack-pulling jaw (for example, 30) depending from the free end of the arm and having its tack-engaging surface directed backwardly or towards the crank, and means for rotating the crank in such direction as to cause the jaw to move over the tack during its forward stroke and to pull the tack during its backward stroke. . . . (4.) For a tack-pulling machine, the combination with a tack-puller of a stationary ejecting-device for removing a tack from the tack-puller, and means to actuate the said tack-puller, first to pull a tack and then to move the said tack into engagement with the ejecting-device. . . .

(9.) For a tack-pulling and resetting machine, the combination with a tack-pulling tool, of a tack-driver adjacent thereto, so disposed that the tack-driving movement takes place in a direction towards the point of operation of the tack-pulling tool and oblique to the direction of feed.

(Specification, £1 14s.)

[NOTE.—Here follow four other claims.]

No. 29712.—12th June, 1911.—GEORGE DAVID WATSON and ALBERT PETER FERGUSSON WATSON, both of Christchurch, New Zealand, Engineers. An improved fence-standard.*

Claim.—(1.) A fence-standard formed of a bar of metal shaped in cross-section with thickened edges upon each side of its central portion, and twisted helically throughout its length, substantially as specified. (Specification, 1s. 6d.)

[NOTE.—Here follows one other claim.]

No. 29822.—5th July, 1911.—JOHN JAMES RAYNES, of Rukuhia, Waikato, New Zealand. Improvements in driving-apparatus for cream-separators and the like.*

Extract from Specification.—According to my invention, I fix upon the end of a power-driven spindle a jaw or socket in which is pivoted a flexible arm, preferably made of one or a series of thicknesses of flat steel plate, which permits said arm to twist under torsional strain. Instead of flat steel plates a spiral spring may be used. At its opposite end the arm is loosely connected to a jaw, upon which is pivoted a clip-socket adapted to fit over the eye of the handle of the machine, or, when said handle is removed, upon the spindle of the machine. A pin, which may be spring-retained, prevents the socket from becoming accidentally disconnected from the handle or spindle. (Specification, 3s. 9d.)

[NOTE.—The above extract from the specification is inserted in place of the claims.]

No. 29826.—6th July, 1911.—BOOTH, MACDONALD, and Co., Limited, of Christchurch, New Zealand, Implement-makers (assignees of Charles Godfrey Whitaker, of Christchurch aforesaid, Mechanical Engineer). Improvements in windmill-gearing.*

Extract from Specification.—The invention consists in mounting the gearing within a hollow casing made to hold the desired lubricating-oil, and in providing such casing with a

cover extending right over its top and covering in the gearing against the entry of dust or water, such as rain or condensed dew, into the casing. The oil within the casing will thus serve to completely lubricate the gearing, as by the working of the gearing parts thereof will pass down through the oil and will lift and distribute it over the other parts.

(Specification, 4s. 6d.)

[NOTE.—The above extract from the specification is inserted in place of the claims.]

No. 29866.—13th July, 1911.—ISAAC AMOS BLISSETT, of Rangitata, New Zealand, Blacksmith. A guard or point-protection for ladies' hatpin.*

Claim.—(1.) In means for holding hatpin-point protectors upon the pin-point, a grip inserted in the knob and consisting of a spring plate extending across the knob, made fast to the knob at one end, and at the other end curved into approximately circular form, such circular portion being made with an aperture arranged in a line with the pin-orifice of the knob, and with a second aperture or slot near or at its extremity and opposite the first aperture, substantially as specified.

(Specification, 2s. 9d.)

[NOTE.—Here follows one other claim.]

No. 29946.—1st August, 1911.—WILLIAM BAILEY, of King Street, East Brisbane, Queensland, Australia, Carrier. Means for securing clean water.*

Claim.—(1.) In means for securing clean water, a box to which is connected an inlet-pipe, a waste-water pipe, and a clean-water pipe, valves fitted to such waste- and clean-water pipes, and arranged so that when one is closed the other is open, as and for the purposes set forth, and as illustrated in the drawings. (Specification, 5s.)

[NOTE.—Here follow three other claims.]

No. 30035.—16th August, 1911.—WILLIAM ROBERT DRAYTON LINES, of the Permasite Company Proprietary, Limited, of Moore Street, South Melbourne, Victoria, Australia, Manufacturer. Improvements in railway-sleepers.

Claim.—(1.) In sleepers for railways, my improved railway-sleeper, composed of the materials set forth and reinforced by longitudinal and cross metal rods, and having a slot at each end capable of holding two bolts which can be lowered therein, and half turned to securely hold them in the sleeper when the nuts on same are being operated, substantially as and for the purposes set forth. (Specification, 5s. 6d.)

[NOTE.—Here follow five other claims.]

No. 30058.—19th August, 1911.—JOHN HOWES GRIPPER BANKS, of Waihi, New Zealand, Metallurgist. Improvements in cigarette-papers.*

Claim.—A cigarette-paper having a projecting portion upon one edge, substantially as specified. (Specification, 1s. 9d.)

No. 30280.—29th September, 1911.—GEORGE VICTOR BECK, of 13 Thompson Street, Wellington, New Zealand, Advertising Agent. An improved advertising book-hanger.*

Claims.—(1.) The hanger for books of any description, consisting of a strong metal back and a piece of strong wire formed to retain and hold a metal clip and spring which holds the metal back and strong wire in position to retain a book or stiff cover, or both, the back portion of hanger being formed with a flat piece of metal for the purpose of displaying a printed or hand-painted advertisement. (2.) The general construction of the various parts arranged for the purpose of suspending any kind of book, either separate, or by retaining a book within a stiff cover specially designed for that purpose, which cover may contain a hanger made and built in as part of the said cover. (Specification, 2s.)

No. 30317.—4th October, 1911.—JAMES HOWELL, of Waihiata, New Zealand, Farmer. Improvements in wire straining and tightening.

Claim.—In wire-strainers, a special link furnished with a loose revolving grooved roller, and combined with a winding drum or bar, having a hole for the introduction of a wire-end, and also for winding in the slack wire, which is subsequently twisted round the body of same, all substantially as shown on the drawing, and as described and as explained.

(Specification, 1s. 9d.)

No. 30690.—3rd January, 1912.—ALFRED JAMES PETERSEN HITCHINS, of Tamworth, New South Wales, Australia, Staff Surveyor. Process of and apparatus for treating the fleece of sheep to make the same resistant to fly-blow.

Claims.—(1.) A process for the treatment of fly-blown sheep, and for the preventing of fly-blow in sheep, consisting in injecting a specific liquid into the inner fleece at fly-time by means of a perforated tubular instrument thrust through the fleece, substantially as described. (2.) A specific solution for application to sheep-fleece for the purposes described,

compounded by dissolving and boiling soda-crystals in water and stirring into said solution kerosene and Japanese herring-oil, substantially as described. (3.) Apparatus for injecting a liquid into sheep-fleece, comprising, in combination, a source of supply of liquid under pressure, a flexible pipe, and a perforated tubular instrument with hand-valve, said instrument being adapted for thrusting through the inner fleece.

(Specification, 7s.)

[NOTE.—Here follow two other claims.]

No. 30717.—11th January, 1912.—JOSEPH MAITLAND, of Clinton, Otago, New Zealand, Orchardist. Improved fencing standard and dropper.*

Claim.—A fencing standard or dropper made of angle shape, and having an incision at the top of each member to receive a barbed wire, binding-wire passing through holes in the members and securing the barbed wire, and plain wires held in L-shaped slots formed on opposing sides of the standard, the entrance to one slot being at the top, and the entrance to the other at the bottom, as set forth.

(Specification, 1s. 6d.)

No. 30720.—10th January, 1912.—ALBERT SPICER, of Christchurch, New Zealand, Civil Servant. Antiseptic cap for telephones.

Claim.—(1.) In a device of the class described, the combination of a wire gauze or perforated metal cap adapted to fit within the mouthpiece and to contain a piece of solid antiseptic material, an out-turned flange formed around the edge of the said cup and adapted to bear against the outer face of said mouthpiece, and a wire gauze or perforated metal disc adapted to be placed upon the said cup so as to bear against the outer face of said flange, such disc being provided with a circular metal frame having its periphery formed with an overhanging flange adapted to embrace the periphery of said cup-flange and to be sprung upon the flared edge of said mouthpiece, substantially as and for the purpose set forth.

(Specification, 2s. 9d.)

[NOTE.—Here follows one other claim.]

No. 30766.—25th January, 1911.†—ARTHUR GEORGE LLOYD NEIGHBOUR, of Cromer Road, Beaumaris, Victoria, Australia, Civil and Mechanical Engineer. Improvements in sheep-shearing machines.

Claims.—(1.) In sheep-shearing machines, a hand-piece provided with an independent fork lever fulcrummed close behind the cutter and adapted to be oscillated through the medium of the motion-bar. (2.) In sheep-shearing machines, a hand-piece provided with a fork lever adjustably supported at its inner end and fulcrummed close behind the cutter and connected between its ends to the motion-bar by means of a ball-and-socket connection.

(Specification, 4s. 6d.)

[NOTE.—Here follow five other claims.]

No. 30792.—16th February, 1912.—ROBERT CHARLES GARDINER, of Eltham, Taranaki, New Zealand, Gasfitter. Improvements in safety hatpins.*

Extract from Specification.—A hatpin is provided near its point with a swelling or shoulder, or with a circumferential groove. A knob adapted to receive and cover the point of the pin is fitted with opposing slides symmetrical in shape, and each comprising a bar having at one end a press-plate or button. The other end of the bar comprises a right-angled member. A snib on the exterior of the right-angled member and a corresponding snib on the press-plate hold a spring which is in compression. The right-angled members are adapted to close under pressure of the spring upon the pin above the swelling or in the groove. To remove the knob the slides are pressed inwards against the action of the spring, and the pin is thereby released.

(Specification, 2s. 6d.)

[NOTE.—The above extract from the specification is inserted in place of the claims.]

No. 30821.—3rd February, 1912.—ANDREW JOHN WHITE-SIDE, of Raupo, North Wairoa, New Zealand, Flax-miller. An improved method of handling flax and flax-products while being dressed.

Extracts from Specification.—A self-emptying sling, working automatically, for lifting green flax on to a flax-bench. . . . Automatic mechanical flax-feeder. . . . Apparatus for timing the feeding of the green flax into the stripper. . . . Flax-fibre catcher. . . . A revolving band, which serves the purpose of a washboard for washing flax-fibre, while water is pumped over this broad band and the flax-fibre. . . . An appliance for adjusting the flax-stripper. . . . An appliance to take the place and do the duty of the slot on one or both of the chairs of the flax-stripper in such a manner as to resist the strain of the belt that drives the feed-rollers on the flax-stripper. . . . The endless conveyors formed of two ropes or cords running

together, over which the flax is caught as the flax-fibre leaves the stripper. . . . The endless ladder, a frame formed of pliable material for sides, rigid pieces for cross-pieces.

(Specification, 11s. 6d.)

[NOTE.—The above extracts from the specification are inserted in place of the claims.]

No. 30949.—19th May, 1911.†—ALFRED ADRIEN TUNMER, of Levallois-Perret, Seine, France, Manufacturer. Improved racquet for tennis or the like.

Extract from Specification.—Consists essentially in forming the frame of the racquet in two parts—an external part formed of a single piece together with the connections to the handle, and an internal part formed of a wooden lath of suitable length and width, coiled upon itself a certain number of times so as to have a predetermined thickness, this internal frame, of which the coils are united by glue, being itself fixed to the external frame also by gluing.

(Specification, 4s. 6d.)

[NOTE.—The above extract from the specification is inserted in place of the claims.]

No. 30977.—4th March, 1912.—DONALD DONALD, of Masterton, New Zealand, Inventor. An improved fastener for gates.

Claim.—(1.) In a gate-fastener, a main hook having a keeper-link pivoted upon its forward end, and an integrally formed catch-hook projecting inwardly from the shank and adapted to receive said keeper-link, substantially as specified, and illustrated in the drawing.

(Specification, 2s. 6d.)

[NOTE.—Here follow two other claims.]

No. 31047.—19th March, 1912.—ROBERT KENNEDY, of No. 3 Spring-Kell Avenue, Pollockshields, Glasgow, Scotland, at present temporarily residing at Menzies Hotel, Melbourne, Victoria, Australia, Dairy-produce Merchant. Improved method or means for conveying fresh milk to sealed delivery-cans, milk-separator vessels, and the like.

Claims.—(1.) The described means or method, consisting in conveying the milk by aid of a vacuum or suction through hermetically sealed pipes from the teat-cups or the milking-stall to the transportation-cans, or to the separator or storage-tanks, without the milk being brought into contact with the atmosphere, substantially in the manner described and shown. . . . (3.) In the described means or method, a movable cover furnished with milk-pipe, vacuum pipe, nozzles, an alarm-bell, float, and tray, and held airtight upon the can by the action of a suction or vacuum, and by the upper edge of milk-can being provided with a movable U-shaped rubber seat-ring, substantially as described and shown.

(Specification, 5s.)

[NOTE.—Here follow three other claims.]

No. 31057.—20th March, 1912.—GORDON GEORGE JOHNSTON, of Annandale, Harkness Street, Woollahra, Sydney, New South Wales, Australia, Agent. Improvements in the treatment of leather for waterproofing it and imparting to it increased adhesive properties.

Claim.—(1.) A process of treating leather, particularly chrome leather, for rendering same non-slipping on wet, smooth surfaces and non-absorbent of water, consisting in employing a leather which is tanned but not fat-liquored, or, if tanned in the ordinary way, is degreased by immersion in benzene or other degreasing-agent, then completely removing the grain side by buffing or the like, or buffing or similarly acting on both sides, or splitting off the grain side previous to the treatment, or otherwise rendering the leather absorbent, then saturating in varnish or the like, and then drying.

(Specification, 6s.)

[NOTE.—Here follow three other claims.]

No. 31102.—29th March, 1912.—INIA RANGINUI, of Kakahi, King-country, New Zealand, Settler. Improvements in means for providing sleeping-accommodation in railway-carriages.

Claims.—(1.) For the purpose indicated, a portable stretcher adapted to be placed upon the seats of a railway-carriage in order to form sleeping-accommodation, comprising longitudinal battens, transverse battens pivoted to said longitudinal battens, hooks on one end of said transverse battens and adapted to engage studs on the under-side of the longitudinal battens, rows of webbing or the like from one longitudinal batten to the other, and other longitudinal batten attached to the webbing at intervals, substantially as set forth. (2.) For the purpose indicated, longitudinal battens, transverse battens pivoted to the under-side of said longitudinal battens, hooks upon one end of the transverse battens engaging in studs on the under-side of the longitudinal battens, webbing or the like stretching from one longitudinal batten to the other, rows of battens attached to the webbing, and tags or the like to retain

the stretcher when it has been folded up, substantially as set forth. (3.) The improvements in means for providing sleeping-accommodation in railway-carriages constructed and combined and operating substantially as specified, and illustrated in the drawings. (Specification, 2s. 9d.)

No. 31119.—29th March, 1912.—EDWIN PHILLIPS, of 264-268 Flinders Street, Melbourne, Victoria, Australia, Patent Attorney and Engineer (nominee of the Gesellschaft Für Drahtlose Telegraphie m.b.H., of Tempelhofer Ufer 9, Berlin, S.W., Germany, Manufacturers, assignees of Alexander Meissner, of Tempelhofer Ufer 9, Berlin, Germany, Engineer). Improvements relating to spark-gaps for use in electric circuits adapted for rapid electric oscillations.

Claim.—(1.) In a damping-out spark-gap for use in the production of rapid electric oscillations, the construction in which one or both of the opposing faces of the electrodes is or are formed with suitable projections so that, after the spark has been formed at a place where the distance between the electrodes is the shortest, the spark-discharge will become elongated and spread out over a greater cooling-surface, substantially as described. (Specification, 3s. 9d.)

[NOTE.—Here follow two other claims.]

No. 31120.—29th March, 1912.—EDWIN PHILLIPS, of 264-268 Flinders Street, Melbourne, Victoria, Australia, Patent Attorney and Engineer (nominee of Gesellschaft Für Drahtlose Telegraphie m.b.H., of Tempelhofer Ufer 9, Berlin, S.W., Germany, Manufacturers, assignees of Georg Graf von Arco, of Tempelhofer Ufer 9, Berlin, Germany, Engineer). Improvements relating to wireless installations.

Claim.—(1.) In a wireless-telegraphy station, an arrangement comprising two antennas, one of which is formed as an aerial conductor serving for transmitting purposes, while the other is formed as an earth antenna and serves either alone or in combination with the aerial antenna for receiving purposes, substantially as described. (Specification, 5s. 6d.)

[NOTE.—Here follow four other claims.]

No. 31121.—29th March, 1912.—EDWIN PHILLIPS, of 264-268 Flinders Street, Melbourne, Victoria, Australia, Patent Attorney and Engineer (nominee of Gesellschaft Für Drahtlose Telegraphie m.b.H., of Tempelhofer Ufer 9, Berlin, S.W., Germany, Manufacturers, assignees of Friedrich Brackerbohm, of Wilhelmsruh, near Berlin, Germany, Engineer). Improvements relating to masts for use in wireless-telegraph installations.

Claim.—(1.) A mast for use in wireless telegraphy, consisting of a plurality of separate elements which are insulated electrically one from another, and are supported one upon another by suitable swivel joints, such as ball-and-socket supports, while each element is held in position separately by means of insulated wires anchored to the ground, substantially as described. (Specification, 2s. 3d.)

[NOTE.—Here follows one other claim.]

No. 31122.—1st April, 1912.—CLAUDE ALLEN PORTER TURNER, of No. 816 Phoenix Building, Minneapolis, Minnesota, United States of America, Civil Engineer. Reinforced-concrete construction.

Claims.—(1.) An arrangement of reinforcement for a column-supported slab of concrete, comprising circumferential cantilever heads at the tops of the columns in the slab, and slab-reinforcement extending from said heads, throughout the slab, between the columns. . . . (4.) An arrangement of reinforcement for a column-supported slab of concrete, comprising belts of reinforcement extending from column to column directly and obliquely, an oblique belt of reinforcement reaching from one column to another where the distance between such columns is greater than the shortest distance between two columns on an oblique line. (Specification, 6s.)

[NOTE.—Here follow seven other claims.]

No. 31125.—2nd April, 1912.—ARTHUR REGINALD ANGUS, formerly of Spit Road, Mosman, New South Wales, Australia, but now of Glenmore House, Glenmore Road, Minehead, Somersetshire, England, Solicitor. Improvements in or relating to railway safe-running devices "EE."

Claim.—(1.) Apparatus characterized by the use of factors of safety, wherein railway-tracks are bonded and divided into different sections, including one or more sections in which *a* there are railway switches or points, and *b* there are no railway switches or points, and means being placed on or about any suitable parts of the railway-tracks, and means used on an adapted train whereby an automatic intimation or warning (either visual or audible) will be given on the adapted train as to whether it is safe or not safe for the adapted train to run on either of the said sections *a* or *b*, and, where required, the said adapted train will be automatically stopped. (Specification, £1 17s. 6d.)

[NOTE.—Here follow thirty-one other claims.]

No. 31145.—4th April, 1912.—WALTER CLEMENTS REED, of Avondale, Auckland, New Zealand, Coachbuilder. A mixture for cleaning and polishing oilcloth, linoleum, and the like.

Extract from Specification.—The mixture is made by the combination of oil of turpentine, lysol, and Jeyes's fluid, in the proportions of nine parts of oil of turpentine, one part of lysol, and one part of Jeyes's fluid. (Specification, 1s. 6d.)

[NOTE.—The above extract from the specification is inserted in place of the claims.]

No. 31156.—11th April, 1912.—THERMO-ELECTRIC COMPANY, a corporation of California, doing business at San Francisco, California, United States of America (assignees of Milton Henry Shoenberg, residing at 2901 Pacific Avenue, San Francisco aforesaid, Electrician). An improved electric water-heater.

Claim.—(1.) The short-circuiting plate connecting metal parts at the inlet and outlet openings. (2.) The insulating-supporting bars near one end of the heating-chamber, and the insulating-stud near the other end, and the U-shaped heating-coil having its ends detachably connected to the bars and its bight passing around the stud, the water-inlet being below the bight. (Specification, 4s. 6d.)

[NOTE.—Here follow four other claims.]

No. 31161.—11th April, 1911.†—JOHN HENRY MESSENGER, of 36 Beaumont Street, Portland Place, London W., England, Gentleman. Improvements in tires.

Claim.—(1.) A pneumatic tire having a cover formed on one or both sides with helical or inclined ribs, and in which alternate ribs terminate in knuckles at the tread and merge into protuberances of substantially hemispherical or ovoid form arranged on the tread, the intermediate ribs terminating at the rise of the tread, as and for the purpose set forth. (Specification, 4s.)

[NOTE.—Here follow three other claims.]

No. 31166.—12th April, 1912.—WHARTON B. McLAUGHLIN, residing at 1047 Stebbins Avenue, New York, United States of America, Chemist. Improvement in methods and apparatus for desiccating fluid substances.

Claims.—(1.) The method of desiccating liquids which consists in spraying the liquid to be dried into a current of gas at a temperature exceeding 212°F., with means for rapidly cooling said gas when desiccating is completed. (2.) The method of desiccation which consists in spraying the substance to be desiccated into a current of heated gas, and upon the completion of desiccation rapidly reducing the temperature by the injection into the current of another current of cooler gas. (3.) The method of desiccation which consists in spraying the material to be desiccated into a current of heated gas, and subsequently rapidly cooling this gas without precipitating the moisture contained therein. (Specification, 2s. 3d.)

No. 31172.—16th April, 1912.—GOTTLIEB GRUMWALD, of Koputarua, New Zealand, Bee-farmer. An improved acetylene-gas generator.

Claim.—(1.) An acetylene-gas generator comprising a central cylinder connected at the bottom to smaller cylinders, the tops of which are connected to a vertical pipe contained within the central cylinder, a cross-chamber forming a base for the three cylinders and connected to one of the smaller cylinders by a pipe and stop-cock, substantially as set forth. (Specification, 4s. 6d.)

[NOTE.—Here follow five other claims.]

No. 31177.—17th April, 1912.—ALFRED PERCY TURNBULL, of "Romsey," Victoria Street, Randwick, near Sydney, New South Wales, Australia, Electrical Engineer. Improvements in the mounting of electric generators upon the head-frame of windmills.

Extract from Specification.—Consist essentially in providing for the electrical conductors a vertical conduit, concentric to the axis of the pivoted head-frame of the mill, and, passing freely through the fixed bed-plate of said frame, is either affixed to and dependent from the frame, or has free passage therethrough, and is fixed at its lower end, preferably to the mill-tower. This conduit has positioned thereon a slip-ring commutator, either at the top or bottom end thereon, according as to whether the conduit is fixed and independent of or is dependent from the pivoted head-frame respectively. Current-collecting brushes are provided adjacent to and contacting with the before-mentioned commutator. The top end of the conduit is preferably covered for weather-protection, in the preferred construction a cylindrical hooded cap being employed. The generator is supported upon the pivoted head-frame of the mill by any convenient means, such as a pair of transverse parallel bearers affixed to said frame, the spindle of the generator being connected by suitable gearing to the axle of the wind-wheel. (Specification, 5s. 6d.)

[NOTE.—The above extract from the specification is inserted in place of the claims.]

No. 31192.—20th May, 1911.†—ALEXANDER WYLLIE RODGER, of "Jesmond," 88 Auckland Road, Norwood, London S.E., England, Gentleman. Improvements relating to the protection of window-curtains and the like.

Claim.—(1.) In a combination of devices consisting of a sash or the like and a detachable protective covering, which together form a compartment adapted to completely enclose the curtain or the like, applying the covering to the sash or the like by means of hinge-like fittings, the parts of which are readily separable from one another, so as to enable the covering to be quickly applied to and detached from the sash or the like, substantially as described. (Specification, 5s.)

[NOTE.—Here follow two other claims.]

No. 31239.—30th April, 1912.—JESSE MEAD, of Auckland, New Zealand, Engineer. An improved releaser for milking-machines.

Claims.—(1.) In milk-releasers, an intercepting-vessel arranged within the milk-pipe line, in combination with a pair of cylinders arranged beneath it, and means whereby each cylinder, alternately with the other, may be closed and connected with the intercepting-vessel and a source of vacuum while the other is cut off therefrom and opened, substantially as specified. . . . (3.) In milk-releasers, in combination, an intercepting-vessel arranged in the milk-pipe line; a pair of cylinders arranged beneath it; a disc-plate formed with an upper pair of ports each connected by a pipe-branch with one of the cylinders, and with a lower pair of ports each connected by a separate pipe-branch with one of the cylinders; a second disc-plate having an upper chamber on the front thereof connected with a source of vacuum, with port openings formed therein, arranged coincidentally with the lower pair of ports in the first disc-plate, and having a lower chamber on the front thereof connected with the intercepting-vessel, with port openings formed therein, arranged coincidentally with the lower pair of ports in the first disc-plate; and a third disc-plate arranged to rotate reciprocally between the other plates and formed with port openings therein, adapted at each limit of its movement to connect one each of the upper and lower ports of the first disc with the respective chambers on the second disc while cutting the other ports off therefrom, and means whereby such disc may be given a reciprocating partial rotation, substantially as specified. (Specification, 7s. 6d.)

[NOTE.—Here follow two other claims.]

Copies of drawings may be obtained at the uniform price of 1s. each. In exceptional cases this price may be increased at the discretion of the Office.

An asterisk (*) denotes the complete specification of an invention for which a provisional specification has been already lodged. A dagger (†) denotes a prior date upon the International and Intercolonial Arrangements.

NOTE.—The cost of copying the specification has been inserted after the notice of each application. An order for a copy or copies should be accompanied by a post-office order or postal note for the cost of copying.

The date of acceptance of each application is given after the number.

Extracts from the drawings accompanying the foregoing complete specifications appear at the end of the *Gazette*.

J. C. LEWIS,
Registrar.

Provisional Specifications accepted.

Patent Office,
Wellington, 23rd May, 1912.

APPLICATIONS for Letters Patent, with provisional specifications, have been accepted as under:—

- No. 30792.—R. C. Gardiner, hatpin.
- No. 30922.—R. A. Rough, flax, &c., machine.
- No. 30939.—H. Droullege, teat-cup.
- No. 30980.—T. Siddans and T. E. McMillan, flax-tail cutter.
- No. 31039.—S. Philp, strawberry-protector.
- No. 31074.—C. Suttie and M. H. Wynyard, flax-dresser.
- No. 31082.—H. W. James, milk, &c., aerating and cooling.
- No. 31132.—C. Suttie, scutching-machine.
- No. 31140.—A. Myers, apron and overall combined.
- No. 31163.—J. Cochrane and W. Massey, fluid agitation, heating, &c.
- No. 31167.—C. S. Pees, F. Charlton, and A. A. Whitelaw, cinematographic-picture production and projection.
- No. 31170.—L. S. Barrell, milk-releaser.
- No. 31175.—H. Curlett, cow-tail clip. (A. Wastall.)
- No. 31179.—A. E. Lowe, bicycle-driving gear.

No. 31187.—J. Bulte, hatpin-point protector.

No. 31191.—P. E. Loach, malt-essence-extracting machine.

No. 31193.—J. S. Downs, spouting-bracket.

No. 31196.—G. Wallace and J. E. Graham, advertising-sign.

No. 31200.—L. V. Leonard, belt-fastener.

No. 31203.—United Shoe Machinery Company, pulling-over, &c., machine. (R. F. McFeely.)

No. 31210.—W. J. Harvey, tire.

No. 31211.—D. D. Sneddon, teat-cup.

No. 31212.—H. Preston, lotion for mammitis.

No. 31215.—J. S. Wearn, soap-holder.

No. 31216.—K. Beresford, cold-storage box.

No. 31218.—W. J. Fahey, hatpin-point protector.

No. 31219.—P. F. Smith, fencing.

No. 31220.—J. D. Hunter, pasteurizer.

No. 31221.—D. A. Eberlet and J. C. P. Kirkwood, sweet-vending device.

No. 31224.—S. Sadler, milking-machine pulsator.

No. 31225.—W. H. Gibson, stock-branding composition.

No. 31232.—M. Mouat, closet-flush.

No. 31233.—F. Stubbs, concrete-construction frame.

No. 31234.—B. F. Cranwell, seat-standard.

No. 31237.—G. A. Chapman, tire-deflation alarm.

No. 31240.—F. W. Klein, retaining bed-clothes in position.

No. 31242.—F. T. McNulty, hurdle-hinge attaching.

No. 31243.—F. T. McNulty, spreader-end fastener.

No. 31244.—W. Gibson, bowls-distance measurer.

No. 31246.—B. W. Taylor, boring-bit.

No. 31247.—W. Taylor, sen., smoking-pipe.

No. 31249.—C. A. Yeager, teat-cup.

No. 31253.—R. Hopkins, telephone-receiver.

No. 31259.—F. Pratt, telephone mouthpiece-cleansing device.

No. 31266.—J. W. McGill, pin-cushion attachment to sewing-machine.

[NOTE.—Provisional specifications cannot be inspected, or their contents made known by this office in any way, until the complete specifications in connection therewith have been accepted.]

Letters Patent sealed.

LIST of Letters Patent sealed from the 9th to the 22nd May, 1912, inclusive:—

No. 27625.—A. Parker, J. E. Ffrost, and S. Salek, memorandum, &c., and envelope.

No. 28575.—M. Brock, heel-lasting mechanism.

No. 28694.—J. C. P. Kirkwood, electric heating-apparatus, &c., controller.

No. 28701.—J. C. P. Kirkwood, electric iron.

No. 28811.—D. B. Morison, liquid-cooling apparatus.

No. 28889.—Imperial Cash Register Company, Limited, cash-register. (C. Bristow.)

No. 29036.—S. B. Forscutt, target.

No. 29069.—A. Y. Ross, lever, jack, &c., pawl operating.

No. 29070.—J. W. Boyce, garment-pattern drafting.

No. 29085.—G. Struthers and J. Brown, washing-machine. (W. McMillan.)

No. 29121.—Globe Printing Company, Limited, printing, perforating, &c., machine. (A. Parker, J. E. Ffrost, and S. Salek.)

No. 29122.—H. W. Davies, bath, &c., water heater.

No. 29123.—W. A. Bone, J. W. Wilson, and C. D. McCourt, heating liquids.

No. 29153.—Levin and Co., Limited, sheep-shearing machine. (A. G. Hutcheson.)

No. 29157.—United Shoe Machinery Company, sole and heel finishing shaft. (H. W. Winter.)

No. 29165.—J. Wylie, tea-infuser, &c. (R. Wylie.)

No. 29173.—C. S. McFarlane, gas-production.

No. 29178.—J. H. Graham, tramway-point operating.

No. 29203.—United Shoe Machinery Company, boot-assembling machine. (O. Ashton.)

No. 29343.—T. McGann and R. G. Pitts, window-fastening.

No. 29799.—E. L. Wright, roofing-tile.

No. 30061.—J. Coutts, hose-coupling.

No. 30118.—J. Sharp, jun., and F. L. Petersen, pen-nib reservoir.

No. 30207.—F. Kerby, belt-fastener.

No. 30303.—E. Hayes, wire, &c., coiling machine.

No. 30304.—J. Chudleigh and J. W. Fell, Westinghouse-brake valve, &c.

No. 30400.—Mono Service Vessels, Limited, paper vessel, &c. (E. Z. Taylor.)

No. 30401.—Mono Service Vessels, Limited, paper vessel, &c. (E. Z. Taylor.)

No. 30409.—C. Cooper, spanner.

No. 30415.—C. D. Hastings, vehicle-spring. (E. A. Nelson.)

No. 30417.—P. L. Crowe, stoker mechanism.

- No. 30418.—P. L. Crowe, stoker mechanism.
 No. 30430.—J. Tate, milk-strainer. (J. McManus.)
 No. 30435.—E. Schwer, bath, &c., water heater.
 No. 30482.—O. A. Mygatt, glassware.
 No. 30483.—Wolsey Sheep Shearing Machine Company, Limited, and A. E. Brewerton, electric-motor starting, &c.
 No. 30484.—H. A. Crabb, C. H. Hutchinson, and A. H. F. Perl, billiard, &c., cue.
 No. 30491.—J. Burgess, pail, bath, &c., attachment.
 No. 30493.—Copeman Electric Stove Company, electric stove. (L. G. Copeman.)
 No. 30501.—G. J. Hoskins, metal-mould ladle.
 No. 30524.—F. M. Dossor, seed-cleaner.
 No. 30525.—E. and W. A. Thomson, ferro-concrete columns, &c.
 No. 30526.—E. and W. A. Thomson, ferro-concrete floor.
 No. 30542.—W. E. Shoobridge, hops, &c., dryer.
 No. 30547.—A. H. Wright, stamp-recording machine.
 No. 30562.—C. Cooper, pipe-wrench.
 No. 30648.—Internal Combustion Engine Cleaning Company, Limited, internal-combustion-engine-chamber cleaning. (G. St. B. S. Watkins.)
 No. 30657.—H. Butters, fencing-dropper.
 No. 30689.—H. Keeble, ironsand, &c., treatment.
 No. 30691.—Blangas-Patent-Gesellschaft m.b.H., gas-distillation. (H. Blau.)
 No. 30692.—A. A. Pauly, moulding-apparatus.
 No. 30695.—E. M. Swanson, boot-polisher.
 No. 30701.—J. Lysaght, Limited, wire-netting machine. (H. W. Foan.)
 No. 30702.—R. A. Canfield, stopper. (H. M. Brown.)
 No. 30708.—I. H. Storey, W. E. McCalla, and A. Griffiths, wall-surface plate.
 No. 30710.—W. Leitch, bakers' oven.
 No. 30738.—E. A. Schwarz and W. C. Wedderspoon, electric-light-burner support.
 No. 30739.—L. S. Hackney, motor-plough.
 No. 30740.—L. S. Hackney, traction-vehicle-steering device.
 No. 30742.—W. B. D. Ponninghaus, shower-bath.
 No. 30743.—E. J. Burns, gas-regulator.

Letters Patent on which Fees have been paid.

[NOTE.—The dates are those of the payments.]

LIST of Letters Patent on which fees have been paid from the 10th to the 23rd May, 1912, inclusive:—

SECOND-TERM FEES.

- No. 24382.—T. H. Austin, rotary engine. (W. K. Austin.) 9th May.
 No. 24390.—W. T. Lee and F. Creighton, burning-fuel for steam-boilers. (F. Cotton.) 13th May.
 No. 24399.—D. Robertson, post-marking machine. 13th May.
 No. 24434.—J. H. Walker and P. Walker, ball cook. 17th May.
 No. 24494.—I. B. Smith, self-playing musical instrument. 22nd May.
 No. 25588.—E. Andreae, suspending curtains, &c. 23rd May.

THIRD-TERM FEES.

- No. 19179.—R. Temple, pneumatically actuated tool. 15th May.
 No. 19180.—R. Temple, pneumatically actuated tool. 15th May.
 No. 19518.—R. Paladini, fastener for mail-bags, &c. 13th May.
 No. 19628.—Mining Plants Company, Limited, filter-press. (A. E. Davis.) 10th May.
 No. 19668.—Mergenthaler Linotype Company, linotype. (F. E. Bright.) 23rd May.

Subsequent Proprietors of Letters Patent registered.

[NOTE.—The name of the former proprietor is given in parentheses; the date is that of registration.]

NO. 25822.—Joseph Alexander Cuttle, of Dunedin, New Zealand, Fitter. Reel for wire-tightener. (W. P. S. Macgregor.) 20th May, 1912.

No. 27969.—Frederick William Stonex, of Auckland, New Zealand, Wood-turner, registered as proprietor of one equal undivided third-part share or interest. Lifting and lowering curtain-poles. (W. Jones and R. H. Moon.) 20th May, 1912.

Request for Correction of Clerical Error in Application for Letters Patent.

NO. 31040.—Postum Cereal Company, Limited, beverage-extract. (W. H. Post.) (Advertised in Supplement to *New Zealand Gazette*, No. 44, of the 16th May, 1912.)

To insert "We are the assignees of" after "that," line 10, in application, and to insert "who" before "is," line 11.

Applications for Letters Patent abandoned.

LIST of applications, with which provisional specifications only have been filed, abandoned (i.e., complete specifications not lodged) from the 10th to the 23rd May, 1912, inclusive:—

- No. 29850.—E. M. Cuthbert and F. C. P. Fiddy, preventing obstructions entering drain-trap.
 No. 29857.—M. J. Brookes, booking ticket and plan.
 No. 29858.—E. A. G. Hamlin, railway-signal.
 No. 29859.—T. S. Gurr and R. J. Hobbs, lifebelt.
 No. 29860.—S. Bartlett, wrapper for periodicals, &c.
 No. 29864.—W. P. Lumbye and C. F. Muntz, fire-lighter.
 No. 29871.—N. Sorenson and E. Goldsworthy, barrow-wheel.
 No. 29872.—W. Eggleton, scutching-machine.
 No. 29876.—W. Hicks and W. S. King, securing rubber heels.
 No. 29886.—W. J. Teese, milking-machine pulsator.
 No. 29889.—W. H. Lambert, clothes-peg.
 No. 29894.—T. J. McFarlane, saw.
 No. 29896.—J. Shuker, seed-threshing.
 No. 29897.—C. Burridge and J. F. Jones, filter.
 No. 29905.—S. R. Trevor, rubber-extraction.
 No. 29907.—A. E. Green, trouser-stretcher.

Application for Letters Patent void.

APPLICATION for Letters Patent, with which complete specification has been lodged, void owing to non-acceptance of such complete specification, from the 10th to the 23rd May, 1912, inclusive:—

- No. 29118.—W. Sandlant, clothes-peg.

Applications for Letters Patent lapsed.

APPLICATIONS for Letters Patent lapsed, owing to Letters Patent not being sealed, from the 10th to the 23rd May, 1912, inclusive:—

- No. 28720.—C. G. McKellar, tennis-racquet.
 No. 28721.—T. Morris, umbrella, &c., clip.
 No. 28724.—C. T. Swanell, smoke-consumer.
 No. 28743.—N. L. Dahl, pasteurizer-regulator.
 No. 28751.—F. Stubbs, closet-flush.
 No. 28755.—H. Vale, milking-machine. (W. Mehring.)
 No. 28756.—W. Riddell, coating cheeses with wax.
 No. 28781.—C. G. McKellar, float valve.

Letters Patent void.

LIST of Letters Patent void through non-payment of renewal fees, and through expiry of term of fourteen years, from the 10th to the 23rd May, 1912, inclusive:—

THROUGH NON-PAYMENT OF SECOND-TERM FEES.

- No. 23989.—M. Gribble, sash-lock.
 No. 23991.—W. A. F. Bleack, primary battery.
 No. 23995.—W. E. Hughes, pianoforte. (F. Clutsum.)
 No. 23999.—Austral Canning Company Proprietary, Limited, tin canister. (J. Webster.)
 No. 24011.—W. M. Orr, dredge-ladder roller.
 No. 24018.—Auto-Hydraulic Limited, water-elevator. (A. E. Hodder.)
 No. 24014.—Linotype and Machinery, Limited, composing and distributing machine. (J. T. Hunter—J. G. Holbourns and H. A. Longhurst.)
 No. 24015.—Linotype and Machinery, Limited, linotype-machine. (J. T. Hunter—J. G. Holbourns and H. A. Longhurst.)
 No. 24020.—W. Hooker, electrical battery.
 No. 24021.—L. de Matteis, feeding current in electric railways. (L. Perocchio.)
 No. 24022.—A. J. Ericsson, grinding solid bodies.
 No. 24025.—D. W. Dike, mink-bucket.
 No. 24028.—R. F. Marsh, spring mattress.

- No. 24029.—E. H. Moore and J. F. Cripps, animal-rug.
- No. 24030.—H. Campbell, extension-ladder.
- No. 24041.—N. A. Booth, sash-fastener.

THROUGH NON-PAYMENT OF THIRD-TERM FEES.

- No. 19074.—British Westinghouse Electric and Manufacturing Company, Limited, distribution of electric energy. (J. P. Campbell—B. G. Lamme.)
- No. 19079.—A. Z. Clark, precipitating gold.
- No. 19086.—N.Z. Twentieth Century Gas Company, Limited, air-carburettor. (R. W. Stuart.)
- No. 19100.—A. W. and A. W. Jones, cure for rheumatism, &c.
- No. 19117.—W. B. Devereux, agitator.

THROUGH EXPIRY OF TERM.

- No. 10587.—Diamond Match Company, Limited, box-making apparatus. (T. L. Carbone.)
- No. 10595.—A. E. G. English Manufacturing Company, Limited, electric lamp. (W. Nernst.)
- No. 10599.—J. W. Newall, wool-cutting machine.
- No. 10600.—A. Storrie, manure-distributer.

Design expired.

THE copyright in the following design has expired :—
No. 326.—H. M. Levinge. Class 3.

Applications for Trade Marks filed.

LIST of applications for registration of Trade Marks filed from the 10th to the 23rd May, 1912, inclusive :—

- No. 10429.—10th May.—Waverley Company, Indianapolis, U.S.A. Class 22.
- No. 10430.—11th May.—A. A. S. Maxwell, Rotorua, N.Z. Class 3.
- No. 10431.—11th May.—Packard Motor Car Company, Detroit, U.S.A. Class 47.
- No. 10432.—13th May.—R. D. Carder, Waihi, N.Z. Class 3.
- No. 10433.—13th May.—E. Dombrain, Christchurch, N.Z. Class 3.
- No. 10434.—13th May.—D. Hayward, Limited, Bloxwich, Eng. Class 50.
- No. 10435.—14th May.—Miller, Midlane, and Co., Wellington, N.Z. Class 34.
- No. 10436.—14th May.—Skelton, Frostick, and Co., Limited, Christchurch, N.Z. Class 38.
- No. 10437.—15th May.—Haslams Limited, Manchester, Eng. Class 38.
- No. 10438.—15th May.—Young and Rochester, Limited, London, Eng. Class 38.
- No. 10439.—16th May.—G. F. Kelly, Christchurch, N.Z. Class 50.
- No. 10440.—16th May.—R. C. H. Corporation, Detroit, U.S.A. Class 22.
- No. 10441.—17th May.—A. G. Winstone, Wanganui, N.Z. Class 48.
- Nos. 10442 and 10443.—18th May.—J. Edson, Auckland, N.Z. Classes 2 and 3.
- No. 10444.—21st May.—Sargood, Son, and Ewen, Limited, Dunedin and elsewhere, N.Z. Class 38.
- No. 10445.—21st May.—L. G. Porter, Wellington, N.Z. Class 50.
- No. 10446.—21st May.—J. N. Duncan, Wellington, N.Z. Class 42.
- No. 10447.—22nd May.—Merwanjee Poonjiajee and Sons, Mody Bay, India. Class 42.
- Nos. 10448, 10449, 10450, and 10451.—22nd May.—Wells and Richardson Company, Burlington, U.S.A. Classes 42, 3, 1, and 3.
- Nos. 10452 and 10453.—23rd May.—Evered and Co., Limited, London and Smethwick, Eng. Classes 13 and 41.
- No. 10454.—23rd May.—Foster's Adhesive Composition Company, Limited, Auckland, N.Z. Class 1.

B

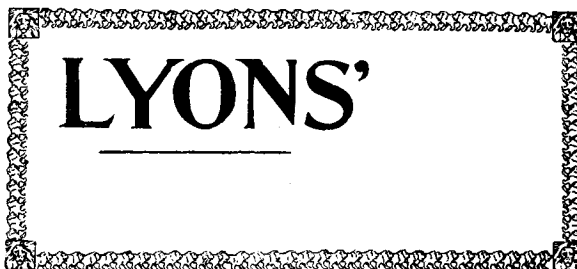
Applications for Registration of Trade Marks.

Patent Office,
Wellington, 24th May, 1912.

APPLICATIONS for registration of the following Trade Marks have been received. Notice of opposition to the registration of any of these applications may be lodged at this office within two months of the date of this Gazette. Such notice must be in duplicate, and accompanied by a fee of £1.

No. of application : 9475.
Date : 14th March, 1911.

TRADE MARK.



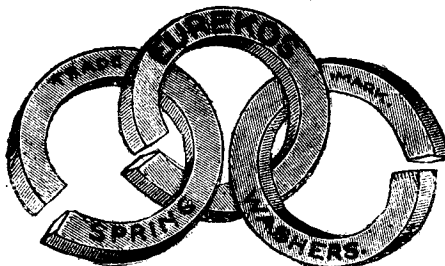
NAME.

J. LYONS AND CO., LIMITED, of Cadby Hall, Kensington, London W., England, Merchants, Purveyors, and Refreshment Contractors.

No. of class : 42.
Description of goods : Tea, coffee, cocoa, and chocolate.

No. of application : 9735.
Date : 23rd June, 1911.

TRADE MARK.



The essential particulars of the trade mark are the following—the device and the word "Eurekos"; and any right to the exclusive use of the added matter is disclaimed.

NAME.

ALFRED ADAMS, trading as "Alfred Adams and Co.," of 493-495 Collins Street, Melbourne, in the State of Victoria, Commonwealth of Australia, Importers of Engineering Specialities.

No. of class : 13.
Description of goods : Washers of all kinds.

No. of application : 9861.
Date : 24th August, 1911.

TRADE MARK.



The essential particular of this trade mark is the distinctive mark; and any right to the exclusive use of the letter "G" is disclaimed.

NAME.

THE B. F. GOODRICH COMPANY, a corporation duly organized under the laws of the State of Ohio, doing business at 478-524 South Main Street, Akron, County of Summit, State of Ohio, United States of America.

No. of class: 40.

Description of goods: Rubber goods (and particularly tires and other bicycle and vehicle supplies made mainly of rubber), belting, hose, packing, tubing, bands and sheets made of or having rubber incorporated therewith, mats, wagon-bumpers, tape, sponge-rubber, copying-press sheets, aprons, bags, bottles, cushions, tubes, belts, beds made wholly or partly of rubber, tobacco-pouches, pads, cups, buckets, sponge-cases, bottle-stoppers, pillows, bulbs, bushings, crutch and chair tips, rolls, valves, washers, jackets, rings, and springs, all of said goods being made wholly or partly of rubber.

No. of application: 9884.

Date: 31st August, 1911.

TRADE MARK.

The word

TIKI.

NAME.

MARY UNDERWOOD DENNISON, of Dunedin, in the Dominion of New Zealand.

No. of class: 25.

Description of goods: Dress-protectors and dress-shields.

No. of application: 10089.

Date: 5th December, 1911.

TRADE MARK.



The essential particular of the trade mark is as follows—the word "Eland"; and any right to the exclusive use of the added matter is disclaimed.

NAME.

PEARSON AND KNOWLES COAL AND IRON COMPANY, LIMITED, of Warrington, England, Iron and Steel Manufacturers and Colliery-proprietors.

No. of class: 5.

Description of goods: Unwrought and partly wrought metals used in manufacture.

No. of application: 10160.

Date: 11th January, 1912.

TRADE MARK.

The word

Y-D-A-N-E-M.

The essential particular of this trade mark is the invented word "Y-da-nem."

NAME.

KIRKCALDIE AND STAINS, LIMITED, of Wellington, in the Dominion of New Zealand, Drapery-importers.

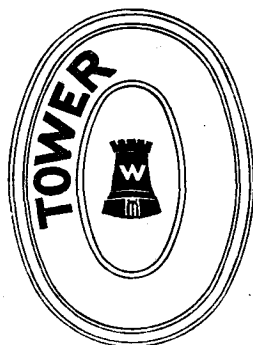
No. of class: 38.

Description of goods: Hosiery.

No. of application: 10214.

Date: 7th February, 1912.

TRADE MARK.



The essential particulars of this trade mark are the word "Tower" and the figure of a tower; and any right to the exclusive use of the added matter is disclaimed.

NAME.

WERE BROS., of 21 Papanui Road, Christchurch, in the Dominion of New Zealand.

No. of class: 44.

Description of goods: Mineral and aerated waters, hop ale or beer included in this class.

No. of application: 10346.

Date: 9th April, 1912.

TRADE MARK.



'ACORN BRAND

The essential particulars of this trade mark are the device and the word "Acorn"; and any right to the exclusive use of the added matter is disclaimed.

NAME.

WILLIAM GOSSAGE AND SONS, LIMITED, of Soap-works, Widnes, Lancashire, England, Soap-manufacturers.

No. of class: 1.

Description of goods: Chemical substances used in manufactures, photography, and philosophical research.

No. of application: 10356.

Date: 11th April, 1912.

TRADE MARK.

The word

IRONITE.

NAME.

HENRY F. MOSS, of Dunedin, in the Dominion of New Zealand, Merchant.

No. of class: 17.

Description of goods: All goods included in this class. [NOTE.—Class 17 is for "Manufactures from mineral and other substances for building or decoration."]

No. of application: 10357.

Date: 11th April, 1912.

TRADE MARK.



NAME.

HORACE HERBERT HANCOCK, of "Whiteho" Factory, High Street, Battersea, London, England, Manufacturer of Tailors' Crayons, Pipe-clays, &c.

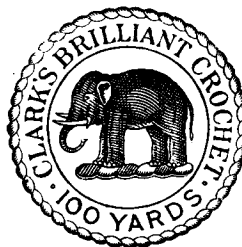
No. of class: 50.

Description of goods: Pipeclay, crayons, chalks, and cleaning-clays included in this class.

No. of application: 10364.

Date: 15th April, 1912.

TRADE MARK.



The essential particulars of this trade mark are the distinctive labels, being top and bottom tickets used together on spools.

NAME.

CLARK AND Co., LIMITED, of Anchor Mills, Paisley, Scotland, Thread-manufacturers.

No. of class: 23.

Description of goods: Crochet-cotton.

No. of application: 10381.

Date: 24th April, 1912.

TRADE MARK.



The essential particular of this trade mark is the word "Fiberite" enclosed in an approximately oblong-shaped device whose four sides consist of crescents; and applicants disclaim any right to the exclusive use of the added matter, except their name and address.

NAME.

THAMES PAPER COMPANY, LIMITED, of Thames Mills, Purfleet, Essex, England, Manufacturers.

No. of class: 39.

Description of goods: Paper board (cardboard).

No. of application: 10382.

Date: 24th April, 1912.

TRADE MARK.



The essential particular of this trade mark is the word "Fiberite" enclosed in an approximately oblong-shaped device whose four sides consist of crescents; and applicants disclaim any right to the exclusive use of the added matter, except their name and address.

NAME.

THAMES PAPER COMPANY, LIMITED, of Thames Mills, Purfleet, Essex, England, Manufacturers.

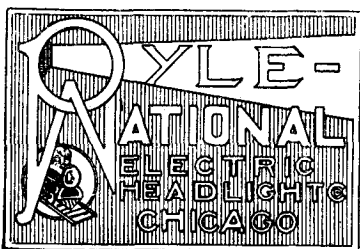
No. of class: 50.

Description of goods: Packing-cases made of a material in the nature of cardboard.

No. of application: 10386.

Date: 25th April, 1912.

TRADE MARK.



The essential particulars of the trade mark are the following—the name "Pyle-National Electric Headlight Company" printed in the particular and distinctive manner as shown, and the combination of devices.

NAME.

PYLE-NATIONAL ELECTRIC HEADLIGHT COMPANY, a corporation organized and existing under the laws of New Jersey, and having a place of business at Chicago, United States of America, Manufacturers.

No. of class: 18.

Description of goods: Electric headlights, and driving, connecting, controlling, and operating devices therefor included in Class 18.

No. of application: 10397.

Date: 27th April, 1912.

TRADE MARK.



The essential particulars of this trade mark are the word "Gauntlet" and the combination of devices.

NAME.

BROWN AND TAWSE, of Dundee, Scotland; London, England; and Sydney, New South Wales, in the Commonwealth of Australia; Iron, Steel, and Metal Merchants.

No. of class: 5.

Description of goods: All goods included in this class.

[NOTE.—Class 5 is for "Unwrought and partly wrought metals used in manufacture."]

No. of application: 10410.

Date: 6th May, 1912.

TRADE MARK.



The essential particular of this trade mark is the following—the distinctive mark; and any right to the exclusive use of the added matter is disclaimed.

NAME.

GAS TRACTION COMPANY, of Minneapolis, Minnesota, in the United States of America, Manufacturers.

No. of class: 6.

Description of goods: Machinery of all kinds, and parts of machinery, except agricultural and horticultural machinery included in Class 7.

No. of application: 10414.

Date: 6th May, 1912.

TRADE MARK.

The word

LUNGSAM.

NAME.

HERBERT HEPWORTH, of The Square, Palmerston North, in the Dominion of New Zealand, Chemist.

No. of class: 3.

Description of goods: A cough-mixture.

No. of application: 10423.

Date: 8th May, 1912.

TRADE MARK.



SIGNAL BRAND.

The essential particulars of this trade mark are the device and the word "Signal"; and any right to the exclusive use of the added matter is disclaimed.

NAME.

JOSEPH TRAVERS AND SONS, LIMITED, of 119 Cannon Street London E.C., England, Wholesale Grocers.

No. of class: 42.

Description of goods: Substances used as food or as ingredients in food, excepting tea, coffee, spices, hops, and malt.

No. of application: 10431.
Date: 11th May, 1912

TRADE MARK.

Packard

The essential particular of this trade mark is the name "Packard."

NAME.

PACKARD MOTOR CAR COMPANY, of Detroit, Michigan, United States of America, Manufacturers.

No. of class: 47.
Description of goods: Lubricants and greases.

No. of application: 10433.
Date: 15th May, 1912.

TRADE MARK.

The word

SAILORINE.

The essential particular of this trade mark is the word "Sailorine."

NAME.

ELLEN DOMBRAIN, of Christchurch, in the Dominion of New Zealand, Married Woman.

No. of class: 3.
Description of goods: A cure for sea-sickness.

No. of application: 10434.
Date: 15th May, 1912.

TRADE MARK.

The word

BONQUILLO.

The essential particular of this trade mark is as follows—the word "Bonquillo."

NAME.

DAVID HAYWARD, LIMITED, of Excelsior Works, Harrison Street, Bloxwich, Staffordshire, England, Brush-manufacturers.

No. of class: 50.
Description of goods: Brushes of all kinds, except artists' brushes and brushes of metal.

No. of application: 10435.
Date: 14th May, 1912.

TRADE MARK.

GOLDEN FLEECE.



The essential particulars of this trade mark are the words "Golden Fleece" and the device of a ram's head.

NAME.

MILLER, MIDLANE, AND Co., of Victoria Street, Wellington, in the Dominion of New Zealand, War: housemen.

No. of class: 34.
Description of goods: Serges and fancy suitings, intended for use for clothing only.

No. of application: 10436.
Date: 14th May, 1912.

TRADE MARK.



The essential particulars of this trade mark are the words "Water Lily," the representation of a water lily, and the distinctive device; and any right to the exclusive use of the added matter is disclaimed.

NAME.

SKELTON, FROSTICK, AND Co., LIMITED, of Christchurch, in the Dominion of New Zealand, Boot and Shoe Manufacturers.

No. of class: 38.
Description of goods: Boots and shoes.

No. of application: 10437.
Date: 15th May, 1912.

TRADE MARK.

PERMACOLA

NAME.

HASLAM'S LIMITED, of 14 George Street, Manchester, England, Merchants and Manufacturers.

No. of class: 38.
Description of goods: Articles of clothing made of textile fabrics.

No. of application: 10441.
Date: 17th May, 1912.

TRADE MARK.

The word

VIGORINE.

The essential particular of this trade mark is the word "Vigorine."

NAME.

A. G. WINSTONE, of Wanganui, in the Dominion of New Zealand, Chemist.

No. of class: 48.
Description of goods: Hair-tonic.

J. C. LEWIS,
Registrar.

Trade Marks registered.

LIST of Trade Marks registered from the 10th to the 23rd May, 1912, inclusive:—

No. 8138/9546.—J. Neil, Limited. Class 43. (*Gazette* No. 72, of the 7th September, 1911.)

No. 8139/9561.—Brace, Windle, Blyth, and Co., Limited. Class 37. (*Gazette* No. 33, of the 20th April, 1911.)

Trade Mark Renewal Fees paid.

FEES paid for the renewal of the undermentioned Trade Marks for fourteen years from the date first mentioned:—

No. 2284/1895.—28th February, 1912.—The Bodega Company, Limited, London, Birmingham, Liverpool, and Manchester, Eng. 23rd May, 1912.

No. 2397/1911.—21st June, 1912.—H. W. Peabody and Co., New York, U.S.A.; London, Eng.; and Sydney, N.S.W. 15th May, 1912.

No. 2439/1929.—13th August, 1912. Kempton, Prosser, and Co.'s New Zealand Drug Company, Limited, Dunedin, N.Z. (M. McIntosh). 22nd May, 1912.

Trade Marks removed from the Register.

TRADE Marks removed from the Register owing to the non-payment of the renewal fees, from the 10th to the 23rd May, 1912, inclusive:—

No. 2258/1854.—14th February, 1898.—S. Cooke, Melbourne, Vic. Class 13.

No. 2262/1816.—21st February, 1898.—W. C. Peacock and Brother, Melbourne, Vic. Class 7.

No. 2267/1818.—21st February, 1898.—H. W. Peabody and Co., New York, U.S.A.; London, Eng.; and Sydney, N.S.W. Class 1.

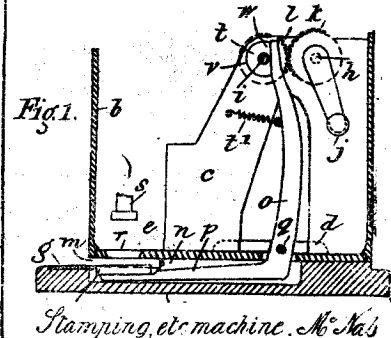
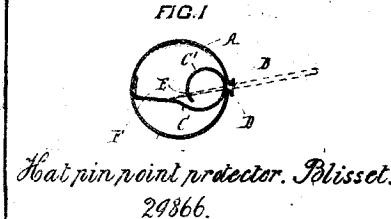
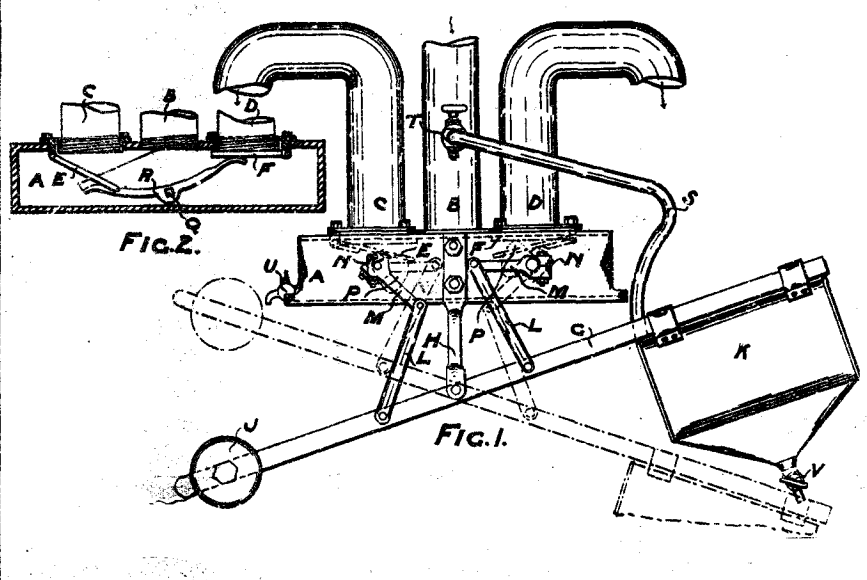
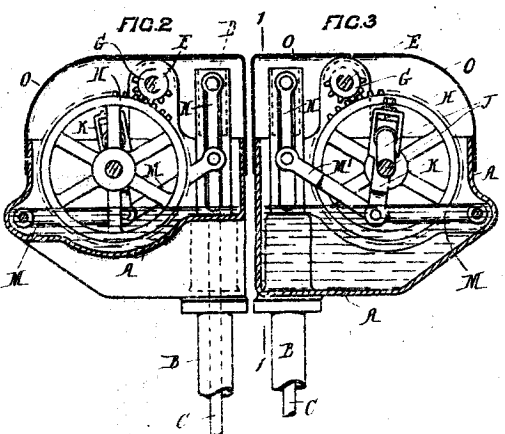
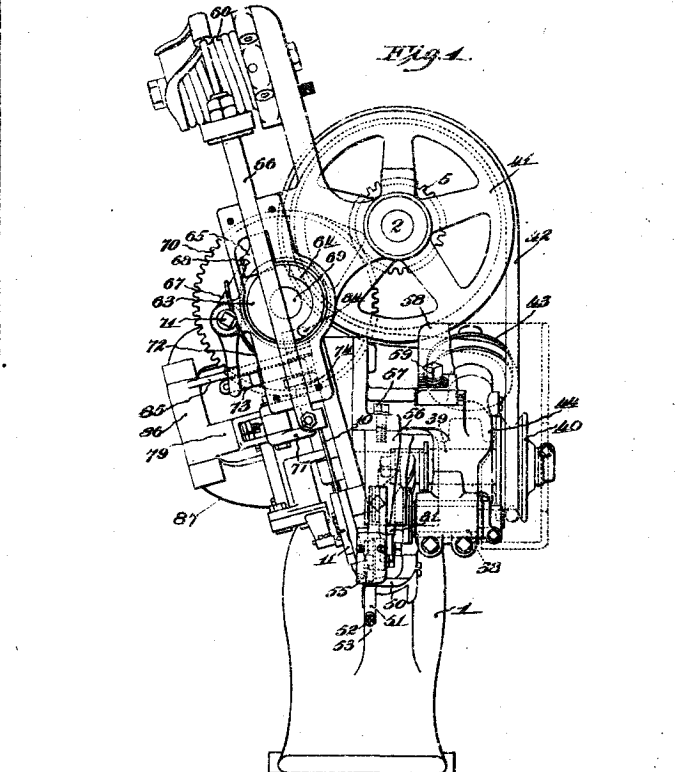
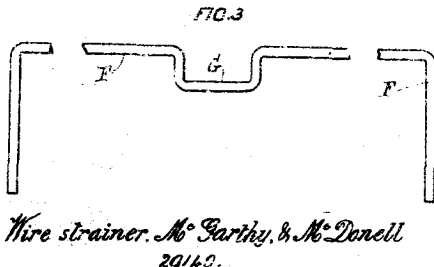
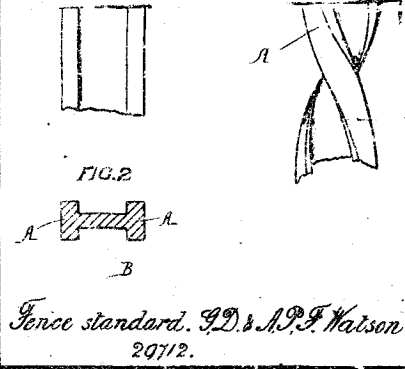
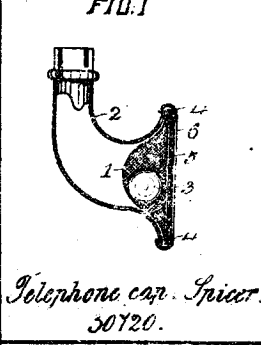
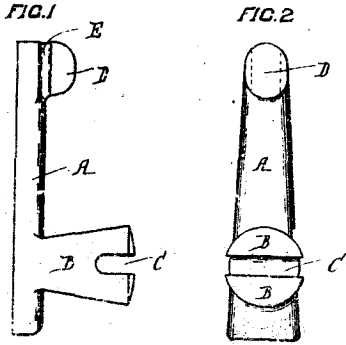
Application for Trade Mark opposed.

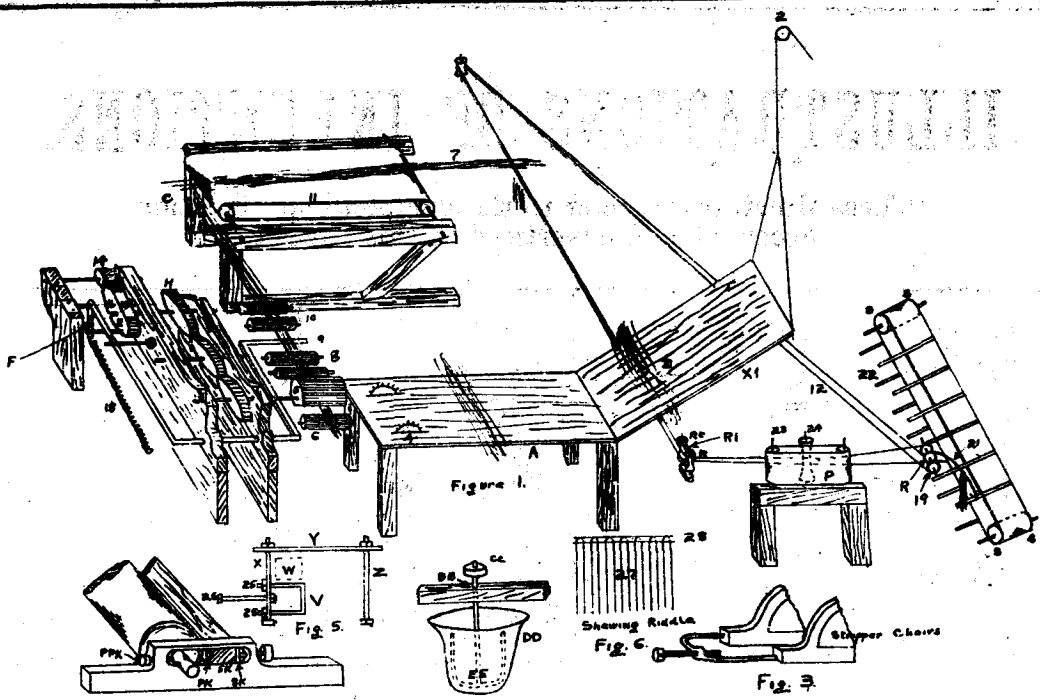
NOTICE of opposition has been filed in the following case:—

No. 10223.—The Alliance Tea, Coffee, and Cocoa Company. Opposed by Langdown and Son, Limited.

ILLUSTRATIONS OF INVENTIONS.

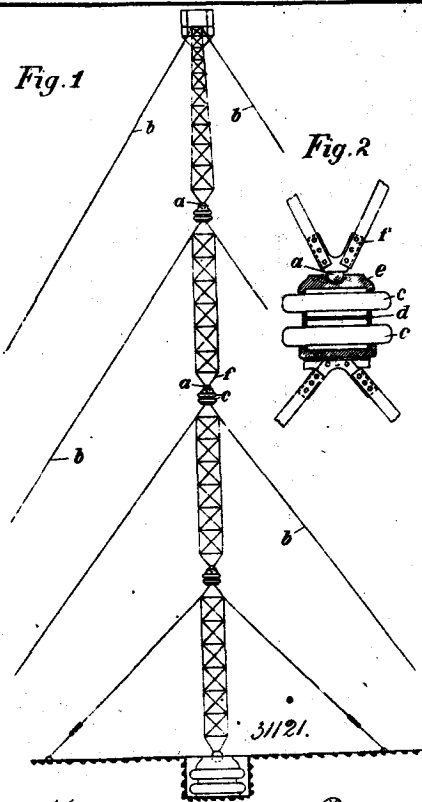
[These illustrations refer to the complete specifications accepted, and advertised in this Gazette.]





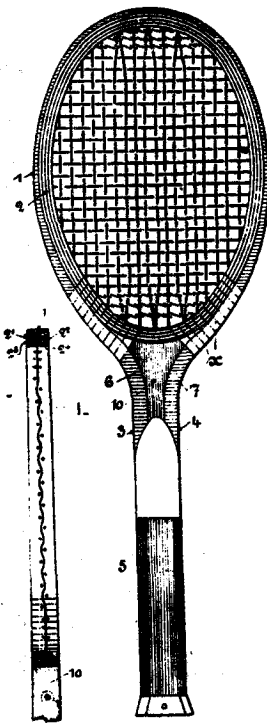
Flat handling White side. 30821.

Fig. 1



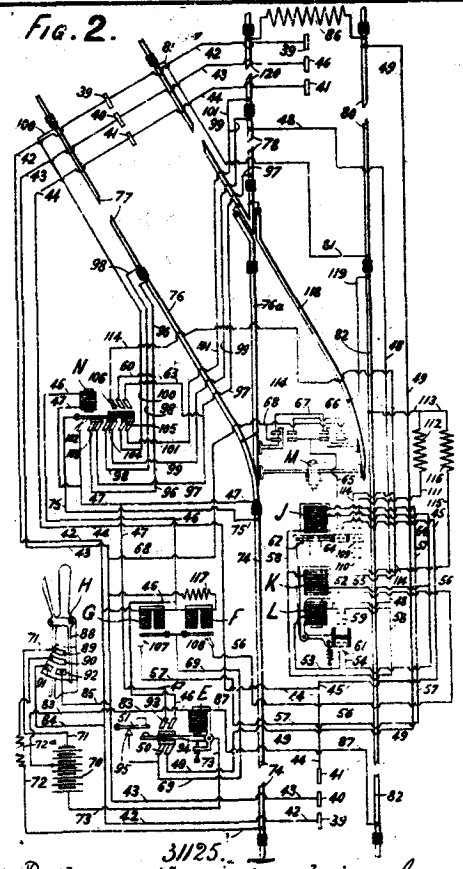
Wireless telegraph mast. Phillips (Gesellschaft für Drahtlose Telegraphie, m. b. H. - Brackerbohm)

Fig. 2

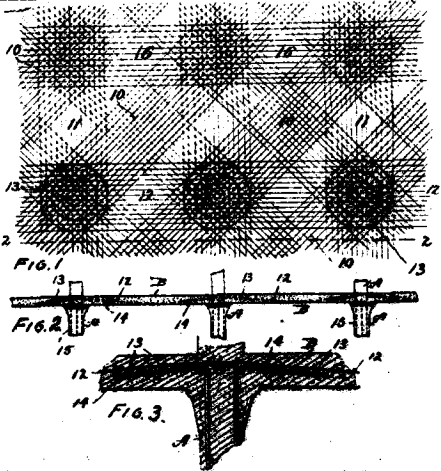


Racquet. Turner. 30940.

Fig. 2.

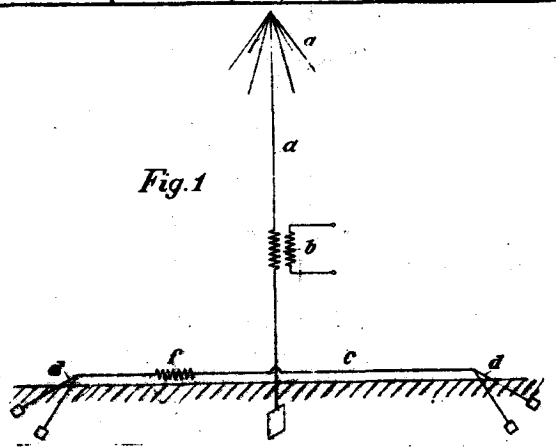


Railway safe running device. Angus. 31125.

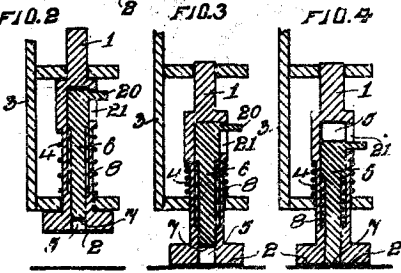
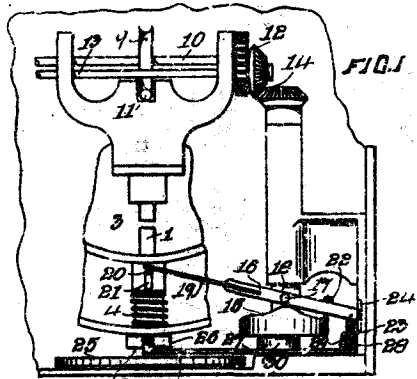


Reinforced concrete construction. Turner. 31122

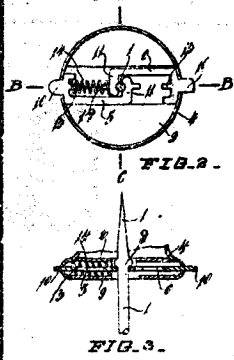
Fig. 1



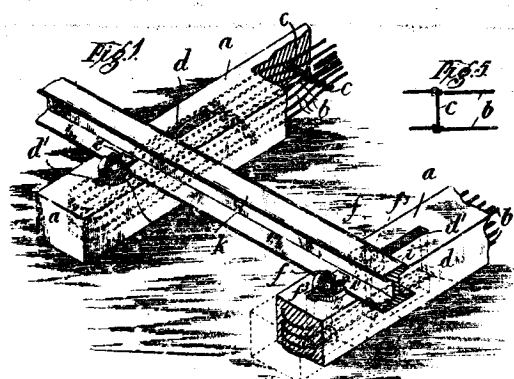
Wireless installation. Phillips (Gesellschaft für Drahtlose Telegraphie, m. b. H. - von Arco) 31120.



Postal franking machine. Mass. 29581.



Head pin. Gardiner 30792



Railway sleeper. Inves. 30655.

Fig. 1

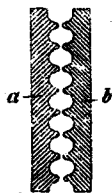
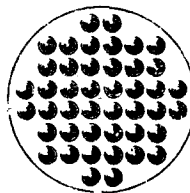
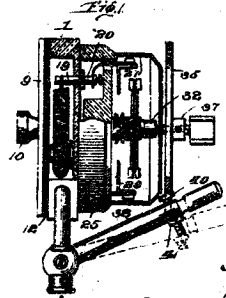


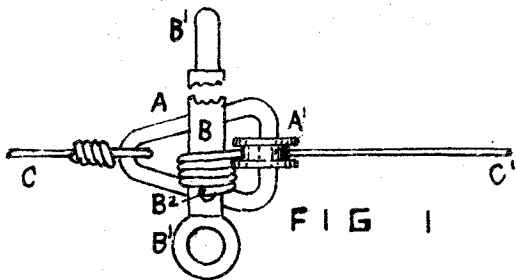
Fig. 2



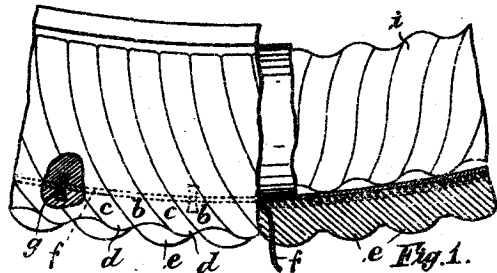
Electric circuit spark gap. Phillips (Gesellschaft für Drahtlose Telegraphie, m.b.H. - A. Meissner) 31119.



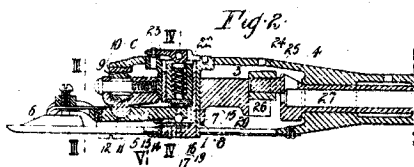
Electric water heater Thermo Electric Coy. (Shoenberg) 31156.



Wire strainer. Howell. 30317.



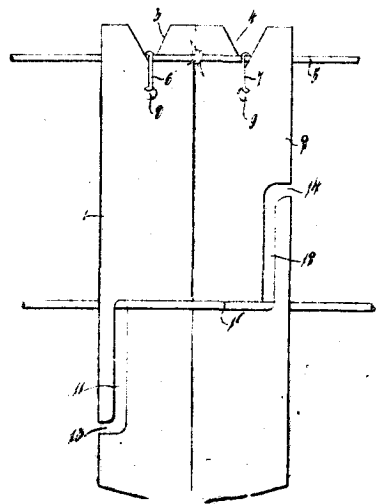
Tyre. Messenger. 31161.



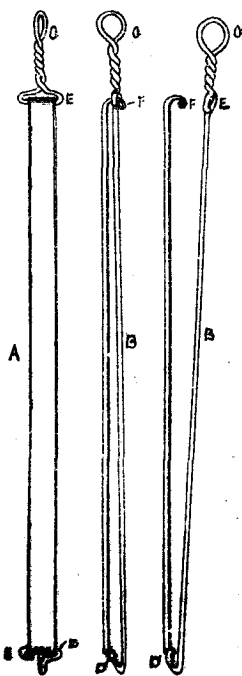
Sheep shearing machine. Neighbour. 30766.



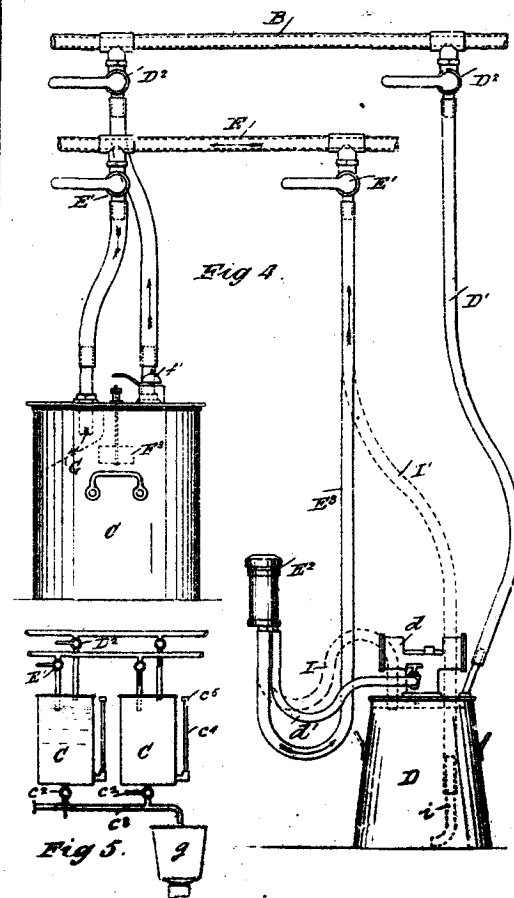
Gaichinge. McDonald. 30977.



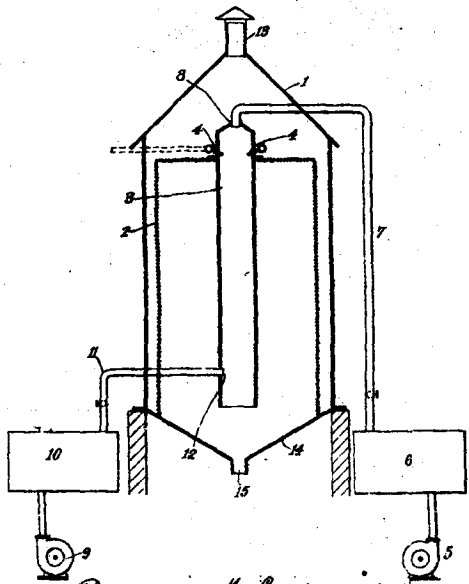
Fence standard. Maitland. 30717



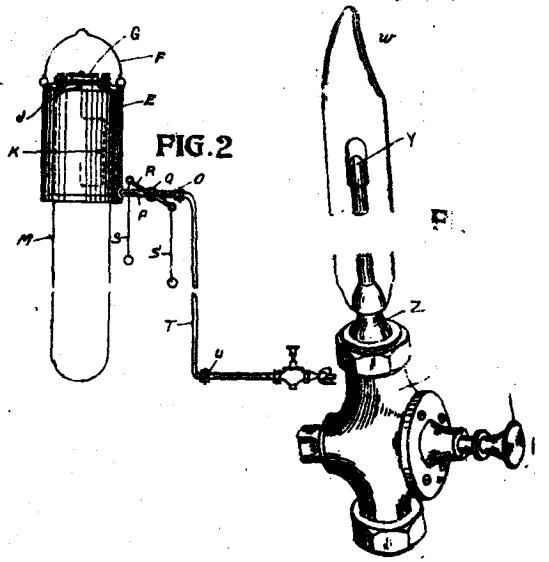
Book hanger. Beck. 30280.



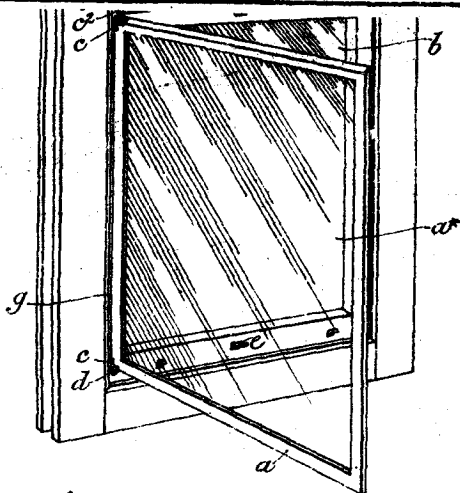
Milk conveyor. Kennedy. 31077.



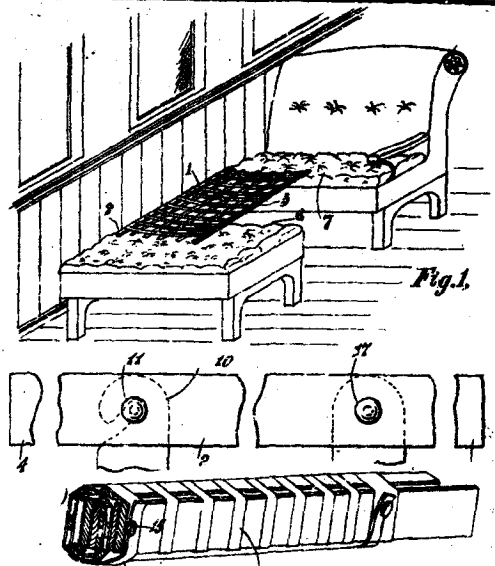
Desiccator. McLaughlin. 31106.



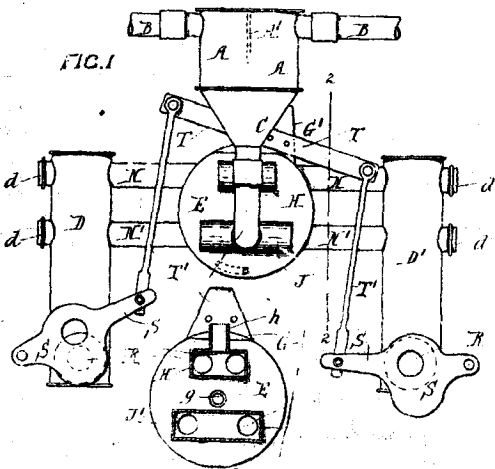
Fleece treatment. Hutchins. 30690.



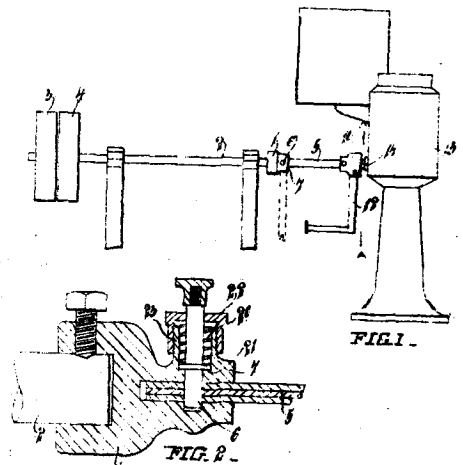
Curtain protector. Rodger. 31192.



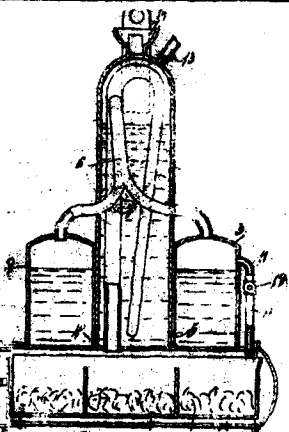
Railway carriage sleeping accommodation Panginui. 31102.



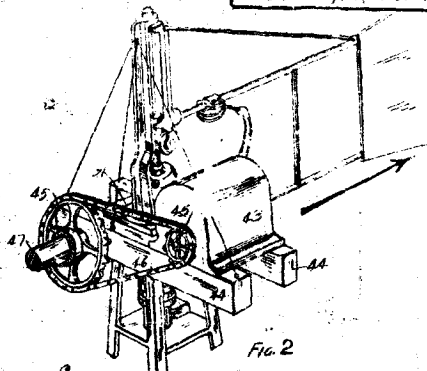
Milking machine release. Mead. 31239.



Cream separator driving apparatus. Payne. 29822.



Acetylene generator. Grunwald. 31172.



Electric generator mounting on windmill. Turnbull. 31177.

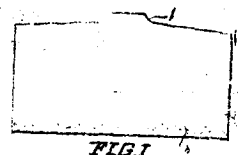


FIG. 1.



FIG. 2.

Cigarette paper. Banks. 30053.